


RADFORD UNIVERSITY RADFORD, VA

WHITING TURNER CONTRACTING

709 HOWE STREET
RADFORD, VA 24141



FIRST CLASS
ARCHITECTURAL PRODUCTS
1-888-514-8141

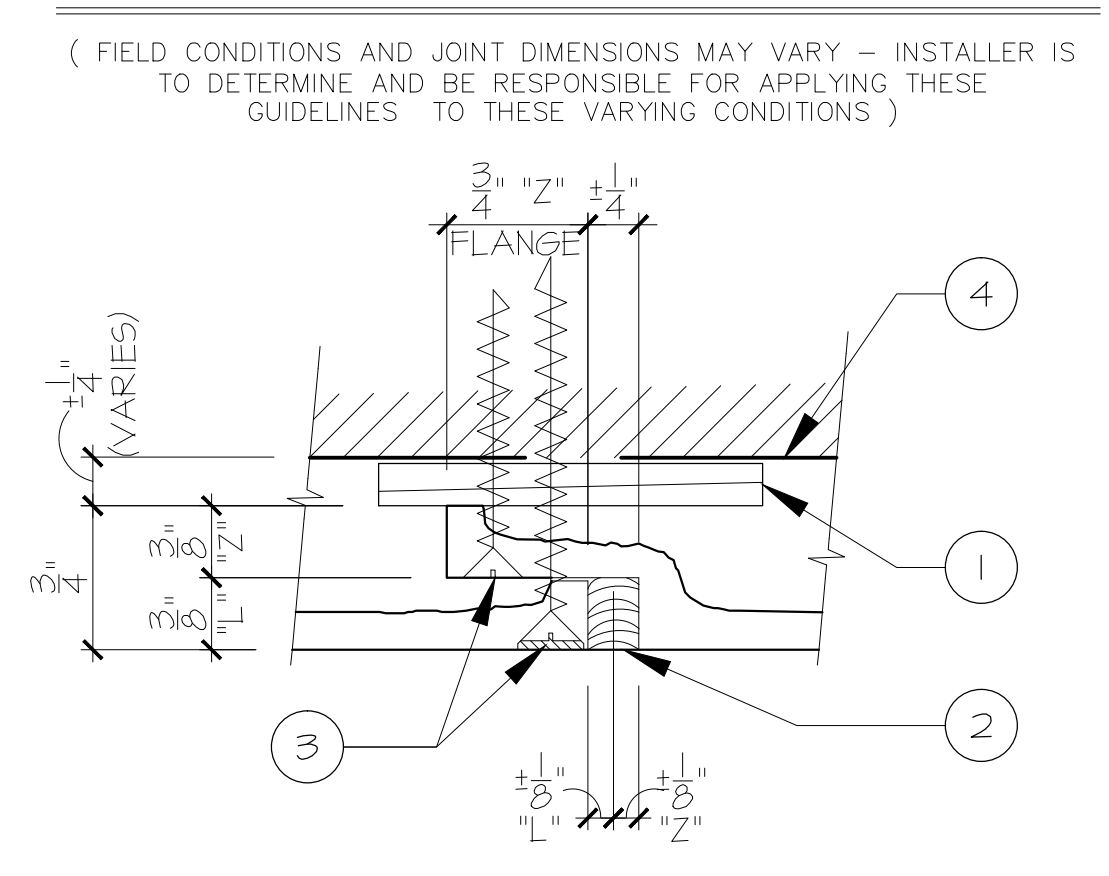
FIRST CLASS
Building Products, Inc.
3600 DALLAS HIGHWAY
SUITE 230-387
MARIETTA GA 30064
WWW.FIRSTCLASSBP.COM

GENERAL NOTES

- INTENTION : SHOP DRAWINGS ARE INTENDED TO COMPLY WITH ALL LAWS, CODES, ORDINANCES AND REGULATIONS OF THE LEGALLY CONSTITUTED BODY HAVING JURISDICTION OF PROJECT LOCALITY.
- ALL CONSTRUCTION IMPLIED BY THE SHOP DRAWINGS SHALL CONFORM TO THE APPLICABLE CODES AS CURRENTLY REFERENCED AND/OR ENFORCED BY THE AGENCY HAVING JURISDICTION OF THIS PROJECT, UNLESS MORE STRINGENT REQUIREMENTS ARE INDICATED IN THE SHOP DRAWINGS. IT IS THE RESPONSIBILITY OF THE GENERAL CONTRACTOR AND/OR THE INSTALLER TO SECURE ALL APPROVALS AND PERMITS WITH THE GOVERNING AGENCY FOR ALL WORK AS NOTED HEREIN.
- SCOPE : ALL TRADES SHALL FURNISH ALL LABOR, EQUIPMENT, MATERIALS AND PERFORM ALL WORK NECESSARY, INDICATED, REASONABLY INFERRED OR REQUIRED BY ANY AGENCY HAVING LEGAL JURISDICTION, TO COMPLETE THEIR SCOPE OF WORK, ON A TIMELY BASIS, FOR A COMPLETE AND PROPER FINISHED JOB.
- THE CONTRACTOR SHALL VERIFY, IN THE FIELD, ALL CONDITIONS AND DIMENSIONS OF OTHERS WORK BEFORE STARTING APPLICATION OF FIBER REINFORCED PRODUCTS BY FCBP ASSOCIATES. THE ARCHITECT OF RECORD AND THE ENGINEER OF RECORD SHALL BE NOTIFIED IMMEDIATELY IF ANY DISCREPANCIES ARE FOUND NOT CONFORMING TO APPROVED SHOP DRAWINGS AND/OR ARCHITECTURAL/STRUCTURAL DRAWINGS OF RECORD.
- UNIT MEMBER LOCATIONS ARE SHOWN ON ELEVATIONS REFERENCING THE PART NUMBER. THE PART NUMBERS REFLECT THE ARCHITECTURAL SHOP DRAWING NUMBER AS THE PART IS DETAILED. ELEVATIONS, SECTIONS AND DETAILS ARE REFERENCED ON THESE SHOP DRAWINGS AS RELATES TO THE CONTRACT DOCUMENTS. SHELL THICKNESS IS A NOMINAL 3/16" UNLESS NOTED OTHERWISE.
- MACHINE BOLTS AND SCREWS AS SPECIFIED BY THESE SHOP DRAWINGS ARE TO CONFORM TO EITHER THE PROJECT SPECIFICATIONS OR ASTM A307, WHICHEVER IS MORE STRINGENT.
- ANCHORAGE LOCATION AND DETAILS, ARE SHOWN FOR REFERENCE AND ARE TO BE REVIEWED BY THE PROJECT ARCHITECT AND THE PROJECT ENGINEER FOR CONFORMANCE TO ALL PERTINENT STRUCTURAL REQUIREMENTS AND REGULATIONS THAT GOVERN. ALL ANCHORAGE AND METHODS OF ATTACHMENT IS TO BE NON-CORROSIVE (FCBP RECOMMENDS STAINLESS STEEL OR APPROVED EQUALS - SEE PROJECT SPECIFICATIONS). SCREW ATTACHMENTS ARE TO BE A MAXIMUM OF 10" ON CENTER UNLESS NOTED OTHERWISE. TYPES OF ANCHORS INDICATED ON THE DRAWINGS ARE FOR REFERENCE ONLY AND ARE THE RESPONSIBILITY OF THE INSTALLER. FCBP IS A MATERIAL MANUFACTURER/SUPPLIER AND NOT RESPONSIBLE FOR INSTALLATION OR MEANS AND METHODS ASSOCIATED THERETO.
- ALL INSTALLATION AND/OR WORK ASSOCIATED WITH THE INSTALLATION AS INDICATED, WITHIN THESE SHOP DRAWINGS, IS TO BE BY THE GENERAL CONTRACTOR, OR A SUB-CONTRACTOR AS SELECTED BY, AND CONTRACTED WITH, THE GENERAL CONTRACTOR (REFERENCE THE PROJECT SPECIFICATIONS FOR INSTALLER REQUIREMENTS).
- INSTALLATION SHALL BE PERFORMED IN ACCORDANCE WITH MANUFACTURER'S RECOMMENDATIONS AND AS INDICATED BY STANDARDS ESTABLISHED BY THE COMPOSITE FABRICATOR'S ASSOCIATION (CFA). IT IS THE RESPONSIBILITY OF THE INSTALLER TO MEET LOCAL BUILDING CODES.
- ALL BOLT-TYPE FASTENERS SHALL HAVE NUTS AND WASHERS OF APPROPRIATE SIZE AND CONFIGURATION FOR THE INTENDED INSTALLATION. ALL FASTENERS SHALL BE INSTALLED WITH A MINIMUM EDGE DISTANCE OF 1.5 TIMES THE DIAMETER OF SUBJECT FASTENER. ALL FASTENERS SHALL BE PLACED A MAX. OF 2" FROM THE CORNER OF ANY PART AS SUPPLIED BY DEC ASSOCIATES.
- CONCEALED INTERNAL FRAMING COMPONENTS AND DETAILS AS SHOWN HEREIN ARE FOR REFERENCE ONLY. ALL FRAMING COMPONENTS (PRIMARY SUB-STRUCTURE AND SECONDARY FRAMING) ARE TO BE PER THE CONTRACT DOCUMENTS.
- ALL FRAMING TO BE BY OTHERS UNLESS NOTED OTHERWISE, OR AS CONTRACTUALLY ARRANGED BETWEEN THE INSTALLER AND THE GENERAL CONTRACTOR.
- ALL FIBER REINFORCED MATERIAL IS SUPPLIED UNFINISHED UNLESS NOTED OTHERWISE HEREIN. ALL ECHO STONE PARTS ARE MANUFACTURED WITH A WHITE GEL-COAT FINISH THAT IS READY TO BE PRIMED AND PAINTED IN THE FIELD BY OTHERS. ANY SPECIFIC FINISHES (FACTORY PAINT, AGGREGATES, TEXTURES) ARE NOTED BELOW.
 - SEE INDIVIDUAL PART DRAWINGS FOR FINISH TYPE LOCATIONS.
 - A. SIMULATED STONE
 - B. ---
 - C. ---
- THE RELATIONSHIP OF THE FRP/FRG FABRICATED PARTS TO THE SUPPORTING CONSTRUCTION AS INSTALLED BY OTHER TRADES IS SHOWN ON PARTS SECTIONS AND DETAIL DRAWINGS FOR REFERENCE ONLY.
- ALL RELEVANT RELATIONSHIPS TO STRUCTURAL, MECHANICAL, ELECTRICAL AND PLUMBING ARE SHOWN IN THE CONTRACT DOCUMENTS FOR REFERENCE ONLY. INSTALLER TO FIELD VERIFY ALL CONDITIONS REFERENCED HEREIN AND NOTIFY CONTRACTOR IN WRITING OF ANY AND ALL ISSUES THAT CONTRADICT THE CONTRACT DOCUMENTS.
- JOINT CONDITIONS ON CONTINUOUS RUNNING PARTS, OR MULTIPLE LAYER PARTS, ARE SHOWN ON SHOP DRAWINGS. THE LOCATIONS OF THE JOINTS ARE SHOWN ON THE ELEVATIONS, SECTIONS OR LAYOUT PLAN FOR THE CONTINUOUS RUNNING PARTS. MULTIPLE LAYER PARTS ARE SHOWN ON THE PARTS SECTION OR DETAIL DRAWING. THE FINISHING DETAILS AND SEALANT INFORMATION SHOULD BE AS REFERENCED IN THE PROJECT SPECIFICATIONS AND CONTRACT DOCUMENTS.
- THE CORRESPONDING PART NUMBERS AS THEY ARE SHOWN ON THESE SHOP DRAWINGS WILL BE INDICATED ON THE ACTUAL PARTS SUPPLIED TO THE FIELD. THE INSTALLER IS TO REFERENCE ALL PART NUMBERS ON THE SHOP DRAWINGS IN ORDER TO LOCATE, POSITION AND INSTALL EACH INDIVIDUAL PART. IT IS THE INTENT OF FCBP TO INCLUDE ANY AND ALL PERTINENT INFORMATION ON THESE DRAWINGS AS NECESSARY TO COMPLETE FABRICATION OF THE INDICATED PARTS. ANY AND ALL ERRORS AND/OR OMISSIONS NOTED THAT ARE DEEMED IMPORTANT AND NECESSARY, ARE TO BE INDICATED IN WRITING DURING THE SHOP DRAWING SUBMITTAL PROCESS.
- LIFTING AND ERECTION DETAILS FOR SPECIAL CONDITIONS ARE SHOWN ON THE SHOP DRAWINGS FOR APPLICABLE PARTS. ALL OTHER CONDITIONS CAN BE LIFTED WITH THE USE OF NYLON STRAPS OR BY HAND IN ACCORDANCE WITH MANUFACTURERS PRACTICES AS REFERENCED IN "GUIDELINES AND RECOMMENDED PRACTICES FOR FIBERGLASS REINFORCED PLASTIC ARCHITECTURAL PRODUCTS" AS ISSUED BY THE COMPOSITE FABRICATORS ASSOCIATION (NYLON STRAPS MUST BE RATED FOR APPLICABLE LOADS).
- A. FRP WILL BE FABRICATED IN COMPLIANCE WITH STANDARDS SET BY THE CFA IN "GUIDELINES AND RECOMMENDED PRACTICES FOR FIBERGLASS REINFORCED PLASTIC ARCHITECTURAL PRODUCTS".
- B. FRG WILL BE FABRICATED IN COMPLIANCE WITH STANDARDS SET BY THE CFA IN "GUIDELINES AND RECOMMENDED PRACTICES FOR FIBERGLASS REINFORCED GYPSUM ARCHITECTURAL PRODUCTS".

- ANY PROPOSED CHANGES IN THE SCOPE OF WORK, OR VARIATION TO CONDITIONS AS INDICATED ON THESE SHOP DRAWINGS, PURSUANT TO APPROVAL OF SAID SHOP DRAWINGS, ARE TO BE PROCESSED IN WRITING AS CHANGE ORDERS. CONSTRUCTION CHANGE DIRECTIVES, R.F.I.'S, ETC. DEC WILL ONLY PROCEED WITH ANY REVISIONS PURSUANT TO RECEPTION OF WRITTEN DOCUMENTATION AS ISSUED BY THE CONTRACTOR.
- THE INSTALLER/CONTRACTOR SHALL PERFORM NO PORTION OF THE WORK REQUIRING SUBMITTAL AND REVIEW OF SHOP DRAWINGS, PRODUCT DATA, SAMPLES OR SIMILAR SUBMITTALS, UNTIL THE RESPECTIVE SUBMITTAL(S) HAVE BEEN APPROVED BY THE ARCHITECT AND GENERAL CONTRACTOR. SUCH WORK WILL BE IN ACCORDANCE WITH APPROVED SUBMITTALS.
- APPROVAL OF THESE SHOP DRAWINGS, PRODUCT DATA, SAMPLES AND SIMILAR SUBMITTALS, REPRESENTS THAT THE CONTRACTOR HAS DETERMINED AND VERIFIED MATERIALS, FIELD MEASUREMENTS, AND FIELD CONSTRUCTION CRITERIA RELATED THERETO AND HAS CHECKED AND COORDINATED WITHIN SUCH SUBMITTALS WITH THE REQUIREMENTS OF THE CONTRACT DOCUMENTS.
- FRP PRODUCTS AS SUPPLIED BY FCBP ARE NOT INTENDED OR WARRANTED AS A WATER PROOFING MEMBRANE. ALTHOUGH WEATHER RESISTANT, MATERIAL SUPPLIED BY FCBP IS INTENDED TO BE USED AS A DECORATIVE ARCHITECTURAL FEATURE ONLY.
- NO CHANGES ARE TO BE MADE TO THESE DRAWINGS WITHOUT THE KNOWLEDGE AND WRITTEN CONSENT OF DEC.
- ANY AND ALL DAMAGES OR DISCREPANCIES OF MATERIAL SHIPPED TO THE SITE MUST BE REPORTED IN WRITING TO FCBP WITHIN 48 HOURS OF DELIVERY.
- FCBP IS NOT AN ENGINEERING COMPANY AND DOES NOT OFFER SAID PROFESSIONAL SERVICES. ANY STRUCTURAL REVIEW CERTIFICATION REQUIREMENTS MUST BE DONE THROUGH A LICENSED STRUCTURAL ENGINEER.
- THE CONTRACTOR AND / OR THE INSTALLER IS RESPONSIBLE FOR THE PROPER STORAGE AND PROTECTION OF THE MATERIAL ON-SITE. IMPROPER STORAGE AND PROTECTION MAY RESULT IN WARPING, BOWING, PHYSICAL DAMAGE AND/OR CONDITIONS THAT WILL MAKE THE PRODUCT UNSUITABLE FOR USE.
- CLEANUP: CLEAN SOILED FRP SURFACES WITH DETERGENT AND WATER, USING SOFT FIBER BRUSHES AND SPONGES, AND THOROUGHLY RINSED WITH CLEAN WATER.

TYPICAL INSTALLATION INSTRUCTIONS



- SHIM BLOCKING AT "Z" / "L" JOINTS WITH TYPICAL SCREW ATTACHMENTS - DEPTH MAY VARY - AS NEEDED - TYPICAL (BY OTHERS)
- APPLY CONTINUOUS PAINTABLE CAULK (PER PROJ SPECS) AT ALL "Z" JOINTS AS SHOWN, BEFORE INSTALLING THE NEXT PART ("L" SIDE OF ADJACENT PART), MAKING SURE TO GET FULL COVERAGE OF SEALANT TO ASSIST WITH OVERALL WEATHER TIGHT CONDITIONS. FIELD STANDARD WEATHER TIGHT CONSTRUCTION SHOULD STILL BE OBSERVED. THIS TYPE OF ATTACHMENT IS NOT TO BE CONSIDERED AS "WEATHER-PROOFING". FIELD STANDARD AND APPROVED CONSTRUCTION METHODS ARE STILL TO BE OBSERVED.
- PRE-DRILL, C/SINK, No. 12 CORROSIVE RESISTANT SCREWS AT LOCATIONS INDICATED, FINISH FLUSH AND SMOOTH - WHERE OCCURS - TYPICAL (ALL SCREWS ARE PLACED AT 10" o.c. - MAXIMUM - TYPICAL) (BY OTHERS)
- DASHED LINE INDICATES FACE OF SOLID - RIGID - STRUCTURALLY SOUND SURFACE (BY OTHERS)

- NOTE :**
- ALL ATTACHMENT SCREWS ARE TO BE PRE-DRILLED AND CENTERPUNCHED. THIS WILL ENSURE THAT THE ATTACHMENT SCREW HEAD WILL IN NO WAY INTERFERE WITH SECURING ADJACENT PARTS FLUSH WITH EACH OTHER.
 - SHIMS ARE USED TO MAINTAIN A "TRUE" AND / OR "FLUSH" SURFACE. SHIM SIZE, SPACING, AND FREQUENCY OF OCCURANCE WILL VARY ACCORDING TO FIELD CONDITIONS.
 - DIMENSIONS SHOWN ARE FOR REFERENCE ONLY. REFER TO INDIVIDUAL PART DRAWINGS FOR SPECIFIC DIMENSIONAL SPECIFICATIONS - TYPICAL.

PHYSICAL PROPERTIES

| F R G | | G F R P | |
|--|--------------|---------|--|
| NOT USED | | | |
| DESCRIPTION: "GLASS FIBER REINFORCED GYPSUM" | | | |
| 1. PRE-MOLDED FRG PARTS ARE FABRICATED TO DETAILS AND DIMENSIONS SHOWN. | | | |
| 2. FINISH PRODUCT SHALL CONFORM TO THE FOLLOWING STANDARDS: | | | |
| PHYSICAL PROPERTIES OF $\frac{3}{16}$ " FRG "FIBROCAL" | | | |
| WEIGHT | 2.0 lbs. psf | | |
| FLEXURAL STRENGTH | 4,192 psi | | |
| TENSILE STRENGTH | 1,340 psi | | |
| COMPRESSIVE STRENGTH | 5,800 psi | | |
| DENSITY | 110 lbs. pcf | | |
| HARDNESS (BARCOL) | 105 | | |
| FLAMMABILITY | | | |
| FLAME SPREAD | 0 | | |
| SMOKE DEVELOPED | 0 | | |
| ASTM E8 | CLASS 1 | | |
| GLASS CONTENT | 38.7% | | |
| 3. ALL PARTS TO CONTAIN SUPPORTS AS REQUIRED KEEPING WITHIN ALLOWABLE TOLERANCES. | | | |
| 4. FINISH SURFACES SHALL BE TRUE OR TEXTURED ACCORDING TO DESIGN REQUIREMENTS. | | | |
| 5. ALLOWABLE TOLERANCES: DIMENSIONAL TOLERANCES: ± 1/8" WALL THICKNESS THICKNESS: NOMINAL 3/16" ± 1/8" BOWING: L-360 MAXIMUM | | | |
| 6. JOINT TREATMENT MATERIALS: AS INDICATED ON APPROVED SHOP DRAWINGS AND IN ACCORDANCE WITH MANUFACTURERS PRINTED RECOMMENDATIONS. GENERAL: ASTM C-475, TYPE RECOMMENDED BY THE MANUFACTURER FOR THE APPLICATION INDICATED, EXCEPT AS OTHERWISE INDICATED. | | | |
| 7. JOINT TREATMENT PERFORATED TYPE. | | | |
| 8. JOINT REINFORCEMENT: READY MIXED VINYL TYPE FOR INDOOR USE. 2 SEPARATE COATS: ONE SPECIFICALLY FOR BEDDING TAPES AND FILLING DEPRESSIONS, AND ONE FOR TOPPING AND SANDING. | | | |

| F R G | | G F R P | |
|---|--------|---------|--|
| NOT USED | | | |
| DESCRIPTION: "FIBERGLASS REINFORCED ACRYLIC RESIN" | | | |
| 1. PRE-MOLDED FRP PARTS ARE FABRICATED TO DETAILS AND DIMENSIONS SHOWN. | | | |
| 2. FINISH PRODUCT SHALL CONFORM TO THE FOLLOWING STANDARDS: | | | |
| PHYSICAL PROPERTIES OF $\frac{3}{16}$ " FIBERGLASS | | | |
| SHEAR STRENGTH, psi *2 | 7,000 | | |
| FLEXURAL STRENGTH, psi | 20,000 | | |
| FLEXURAL MODULUS, psi | 13,339 | | |
| TENSILE STRENGTH, psi | 8,300 | | |
| TENSILE STRENGTH x 10 psf | 2.1 | | |
| GLASS CONTENT | 14.9 | | |
| ATH CONTENT | 43.5 | | |
| RESIN CONTENT | 41.6 | | |
| COMPRESSIVE STRENGTH, psi | 29,832 | | |
| ASTM E-84 : | | | |
| FLAME | 38.7% | | |
| SMOKE | 80 | | |
| THICKNESS, inches | 0.190 | | |
| DENSITY, lbs./ft. | 110 | | |
| *2 INNER LAMINATED SHEAR | | | |
| 3. ALL MATERIAL SHALL BE CLASS 1 REINFORCED WITH A FLAME SPREAD OF 25 OR LESS WHEN TESTED IN ACCORDANCE WITH ASTM/E-84. THE USE OF ANTIMONY OXIDE IS NOT PERMITTED. | | | |
| 4. ALL PARTS TO CONTAIN SUPPORTS AS REQUIRED TO KEEP WITHIN ALLOWABLE TOLERANCES. | | | |
| 5. FINISH SURFACES SHALL BE TRUE AND TEXTURED ACCORDING TO DESIGN REQUIREMENTS WITH EITHER A SMOOTH GEL-COAT FINISH OR A "READY FOR PRIMER AND PAINT" GEL-COAT. | | | |
| 6. RESINS: BAKED RESIN TO BE A MODIFIED ACRYLIC THERMOSET POLYMER. FORMULATIONS WILL INCLUDE HYDRATED FILLERS TO MEET THE CLASS 1 FIRE RATING. | | | |
| 7. GEL-COAT: GEL-COAT SHOULD BE A HIGH QUALITY, NEOPENTYL GLYCOL (NPG) ISOPHTHALIC GEL-COAT, WITH ULTRA VIOLET STABILIZERS. GEL-COAT THICKNESS SHOULD BE 16 TO 25 MILS. | | | |
| 8. REINFORCEMENT: THE MANUFACTURER MAY USE CHOPPER SPRAY, HAND LAMINATED MAT AND/OR CORE-MAT AS REINFORCEMENT. THE REINFORCEMENT USED SHOULD CORRELATE TO THE END USE PERFORMANCE REQUIREMENTS OF THE FRP PRODUCT. AT ALL TIMES, MINIMUM PHYSICAL PROPERTIES MUST BE MET. LARGE FLAT SURFACES AND/OR EXTENDED SPANS MUST CONTAIN ADDITIONAL REINFORCEMENT LAMINATE. JOB-SITE CONDITIONS, SPECIFIC MATERIAL PERFORMANCE REQUIREMENTS AND SPECIAL CONDITIONS, MAY DICTATE THE ADDITIONAL REINFORCEMENT. | | | |
| 9. ALLOWABLE TOLERANCES: DIMENSIONAL TOLERANCES: ± 1/8" WALL THICKNESS THICKNESS: NOMINAL 3/16" ± 1/8" BOWING: L-360 MAXIMUM | | | |

KEYNOTES

- NOTE :** ALL BLOCKING MEMBERS SUPPLIED BY OTHERS SHOULD BE FIRE RETARDANT TREATED AND FIRE TREATED WHEN APPLICABLE. (TYPICAL THROUGHOUT PROJECT)
- SHIM BLOCKING AT JOINTS WITH TYPICAL SCREW ATTACHMENTS - DEPTH MAY VARY - AS NEEDED - TYP (BY OTHERS).
 - APPLY CONTINUOUS PAINTABLE CAULK (PER PROJ SPECS) AT ALL "Z" JOINTS AS SHOWN, BEFORE INSTALLING THE NEXT PART ("L" SIDE OF ADJACENT PART), MAKING SURE TO GET FULL COVERAGE OF SEALANT TO ASSIST WITH OVERALL WEATHER TIGHT CONDITIONS. FIELD STANDARD WEATHER TIGHT CONSTRUCTION SHOULD STILL BE OBSERVED. THIS TYPE OF ATTACHMENT IS NOT TO BE CONSIDERED AS "WEATHER-PROOFING". FIELD STANDARD AND APPROVED CONSTRUCTION METHODS ARE STILL TO BE OBSERVED.
 - PRE-DRILL, C/SINK, No. 12 CORROSIVE RESISTANT SCREWS AT LOCATIONS INDICATED, FINISH FLUSH AND SMOOTH - WHERE OCCURS - TYPICAL (ALL SCREWS ARE PLACED AT 10" o.c. - MAXIMUM - TYPICAL) (BY OTHERS).
 - DASHED LINE INDICATES FACE OF SOLID - RIGID - STRUCTURALLY SOUND INTERNAL FRAMING SYSTEM - TYP ALL NECESSARY CALCULATIONS AND INFORMATION NEEDED TO PASS ALL APPLICABLE CODES AND DEPARTMENTS OF RECORDS ARE TO BE BY OTHERS UNLESS PROVISIONS ARE SPECIFICALLY MADE CONTRACTUALLY WITH DEC ASSOCIATES TO PROVIDE THIS ADDITIONAL SERVICE.
 - TYPICAL SCREWS AT 10" o.c.
 - TYPICAL SCREWS AT JOINTS ONLY.
 - TYPICAL SCREWS AND BLOCKING TO PULL " Z " SIDE OF PART TO " L " SIDE OF PART.
 - FINISH FLUSH AND SMOOTH - TYPICAL (BY OTHERS)
 - CONT SEALANT AND/OR BACKER ROD - TYPICAL (BY OTHERS).
 - FC - FIELD CUT TO FIT AS NEEDED (BY OTHERS)
- RFI** XXX-01 → REQUEST FOR INFORMATION: THIS SYMBOL MAY BE PUT ON A DRAWING TO BRING ATTENTION TO AN RFI THAT HAS BEEN ANSWERED. IF 50 THE CORRESPONDING RFI NO. WILL APPEAR INSIDE SYMBOL.
- RFI No. PREVIOUSLY SENT TO CLIENT
- RFI** XX-01 → DURING THE SUBMITTAL PROCESS TO EXPEDITE APPROVAL THIS SYMBOL MAY BE PLACED WITHOUT ANY REFERENCE NUMBER TO BRING ATTENTION TO A QUESTION THAT DEC ASSOCIATES NEEDS AN ANSWER TO, OR, A POSSIBLE FIELD CONDITION THAT NEEDS LOOKING AT. IF THESE TWO LATTER ITEMS OCCUR A SMALL FOOTNOTE WILL BE REFERENCED ON THAT SPECIFIC SHEET ALONG WITH THIS SYMBOL.
- FOOTNOTE No. CORRESPONDING SHEET No.

SHEET INDEX

| C1 | COVER SHEET | |
|------------|--------------------------|---------------|
| △ F1 | PART LOCATION PLAN | |
| △ F2 | PART LOCATION PLAN | |
| △ F3 | PART LOCATION PLAN | |
| F4 | PART LOCATION PLAN | |
| F5 | PART LOCATION PLAN | |
| F6 | PART LOCATION PLAN | |
| F7 | PART LOCATION ELEVATIONS | |
| F8 | PART LOCATION ELEVATIONS | |
| △ F9 | PART LOCATION PLAN | |
| △ F10 | PART LOCATION ELEVATIONS | |
| △ P1 | ECHO STONE CORNICE | (A) |
| △ P1 CONT. | ECHO STONE CORNICE | (A) |
| P1A | ECHO STONE SOFFIT PANEL | (A-2) |
| △ P2 | ECHO STONE CORNICE | (B) |
| △ P2 CONT. | ECHO STONE CORNICE | (B) |
| △ P3 | ECHO STONE CORNICE | (C) |
| △ P3 CONT. | ECHO STONE CORNICE | (C) |
| △ P4 | ECHO STONE CORNICE | (D) |
| △ P5 | ECHO STONE CORNICE | (E) |
| △ P6 | ECHO STONE CORNICE | (F, F2) |
| △ P6 CONT. | ECHO STONE CORNICE | (F, F2) |
| P7 | ECHO STONE FLAT PANEL | (F-1) |
| P8 | ECHO STONE SOFFIT PANEL | (F-3) |
| P9 | ECHO STONE SOFFIT TRIM | (F-4) |
| △ P10 | ECHO STONE CORNICE | (G) |
| △ P11 | ECHO STONE CORNICE | (K) |
| △ P12 | ECHO STONE PANEL | (L, M, H-1) |
| △ P13 | ECHO STONE PANEL | (L-1) |
| P14 | ECHO STONE PANEL | (H-2) |
| P15 | ECHO STONE TRIM | (N) |
| P16 | ECHO STONE TRIM | (O) |

ECHO-STONETM

- DESCRIPTION:** GLASS FIBER REINFORCED MINERAL COMPOSITE
- PRE-MOLDED GFRG PARTS ARE FABRICATED TO DETAILS AND DIMENSIONS SHOWN WITH A NOMINAL THICKNESS OF 3/8".
 - FINISH PRODUCT SHALL CONFORM TO THE FOLLOWING STANDARDS:
- PHYSICAL PROPERTIES OF $\frac{3}{16}$ " GFRG™**
- | | |
|-------------------------------|---|
| BORCOL HARDNESS | ASTM-D-2583, 43 POINTS |
| FLEXURAL STRENGTH | ASTM-D-790, 3050 PSI |
| IMPACT STRENGTH | ATSM-D-256, 190 FT. LBS./IN. |
| TENSILE STRENGTH | ASTM-D-638, 3500 PSI |
| COMPRESSION | ASTM-D-39, 4000 PSI |
| DENSITY | ASTM-D-792, 105 LBS./CU.FT |
| CTE AVERAGE | ASTM-D-696, 11.0 X 10 ⁻⁶ IN./IN./F |
| FLAMABILITY-CLASS I MATERIALS | ASTM-E-84, 5 OR LESS FLAME/20 OR LESS SMOKE UNIT EIGHT (LBS./SQ.FT. AT 1/2") 3-5 LBS. |
- ALL PARTS TO CONTAIN SUPPORTS AS REQUIRED TO KEEP WITHIN ALLOWABLE TOLERANCES.
 - FINISH SURFACES SHALL BE TRUE AND TEXTURED ACCORDING TO DESIGN REQUIREMENTS.
 - REINFORCEMENT: THE MANUFACTURER MAY USE CHOPPER SPRAY, HAND LAMINATED MAT AS REINFORCEMENT. THE REINFORCEMENT USED SHOULD CORRELATE TO THE END USE PERFORMANCE REQUIREMENTS OF THE FINISHED PRODUCT. AT ALL TIMES, MINIMUM PHYSICAL PROPERTIES MUST BE MET. LARGE FLAT SURFACES AND/OR EXTENDED SPANS MUST CONTAIN ADDITIONAL REINFORCEMENT LAMINATE. JOB-SITE CONDITIONS, SPECIFIC MATERIAL PERFORMANCE REQUIREMENTS AND SPECIAL CONDITIONS, MAY DICTATE THE ADDITIONAL REINFORCEMENT.
 - ALLOWABLE TOLERANCES: DIMENSIONAL IN ALL DIRECTIONS: ± 3/16" IN. WALL THICKNESS TOLERANCE: ± 1/8" IN. VARIATION FROM SQUARE ± 1/8" IN. BOWING: +/- 1/4 IN 8 FT.

SUBMITTAL HISTORY

| No. | CLIENT UPDATE | 3-10-11 | DS |
|---|---------------|---------|----|
| | REVISION | DATE | BY |
| REVISIONS | | | |
| RADFORD UNIVERSITY RADFORD, VA WHITING-TURNER CONTRACTING | | | |
| SCALE | AS SHOWN | | |
| DRAWN BY | DS | | |
| DEC PROJ. MGR. | | | |
| APPROVED BY | | | |
| QUOTE NO. | 13148-2 | | |
| DATE | 12-29-10 | | |
| COVER SHEET | | | |
| SHEET No. | C1 | | |
| JOB NO. | 10-2861 | | |

1 CLIENT UPDATE - 03-30-2011
FIRST SUBMITTAL - 01-26-2011

THESE PLANS AND THE DESIGN CONTAINED THEREIN ARE THE SOLE PROPERTY OF First Class Building Products (HEREINAFTER DESIGNATED FCBP). THESE PLANS MAY NOT BE REPRODUCED OR USED WITHOUT WRITTEN PERMISSION OF DEC. UNAUTHORIZED USE SHALL INVOKE A CLAIM FOR COMPENSATION (FCBP). ALL FABRICATORS, CONTRACTORS, ENGINEERS AND OTHERS UTILIZING THESE PLANS IN CONNECTION WITH THE PROJECT ARE RESPONSIBLE FOR THEIR OWN MEASUREMENTS AND DIMENSIONS ON THE JOB. FCBP ASSOCIATES AND OTHERS HAVE CONDUCTED VISUAL INSPECTIONS AND CHECKS FOR THE PURPOSE OF INDICATING THE REQUIREMENTS OF THE EXISTING AND EQUIPMENT. STRUCTURAL REQUIREMENTS AND DIMENSIONS ARE SHOWN ON THESE PLANS FOR REFERENCE ONLY. THESE PLANS ARE NOT TO BE USED AS A BASIS FOR CONSTRUCTION OR FOR THE SUBSTITUTION OR CHANGES IN EQUIPMENT SHOWN ON THESE PLANS. REFERENCE IS MADE TO THE GENERAL NOTES WHICH ARE PART OF THESE PLANS AND WHICH ARE THE SOLE RESPONSIBILITY OF THE CONTRACTOR. THESE PLANS ARE ADVISED THAT THEY ARE RESPONSIBLE FOR EXAMINING AND BECOMING FAMILIAR WITH SAID GENERAL NOTES BEFORE COMMENCING ANY WORK DONE ON THIS PROJECT. ANY INCONSISTENCIES BETWEEN THESE PLANS, THE GENERAL NOTES, AND THE LOCAL BUILDING CODES, OR ORDINANCES, MUST IMMEDIATELY BE CALLED TO THE ATTENTION OF FCBP IN WRITING SO THAT ANY INCONSISTENCIES CAN BE RESOLVED. FCBP IS NOT RESPONSIBLE FOR ANY ARCHITECTURAL OR ENGINEERING DETAILS OR SPECIFICATIONS. THE USE BY ANY PERSON OR OMISSION CONTAINED THEREIN DOES NOT CONSTITUTE AN ENDORSEMENT OR A GUARANTEE OF ANY KIND. FCBP ASSOCIATES AND OTHERS SHALL NOT BE HELD RESPONSIBLE FOR ANY ERROR OR OMISSION CONTAINED THEREIN.

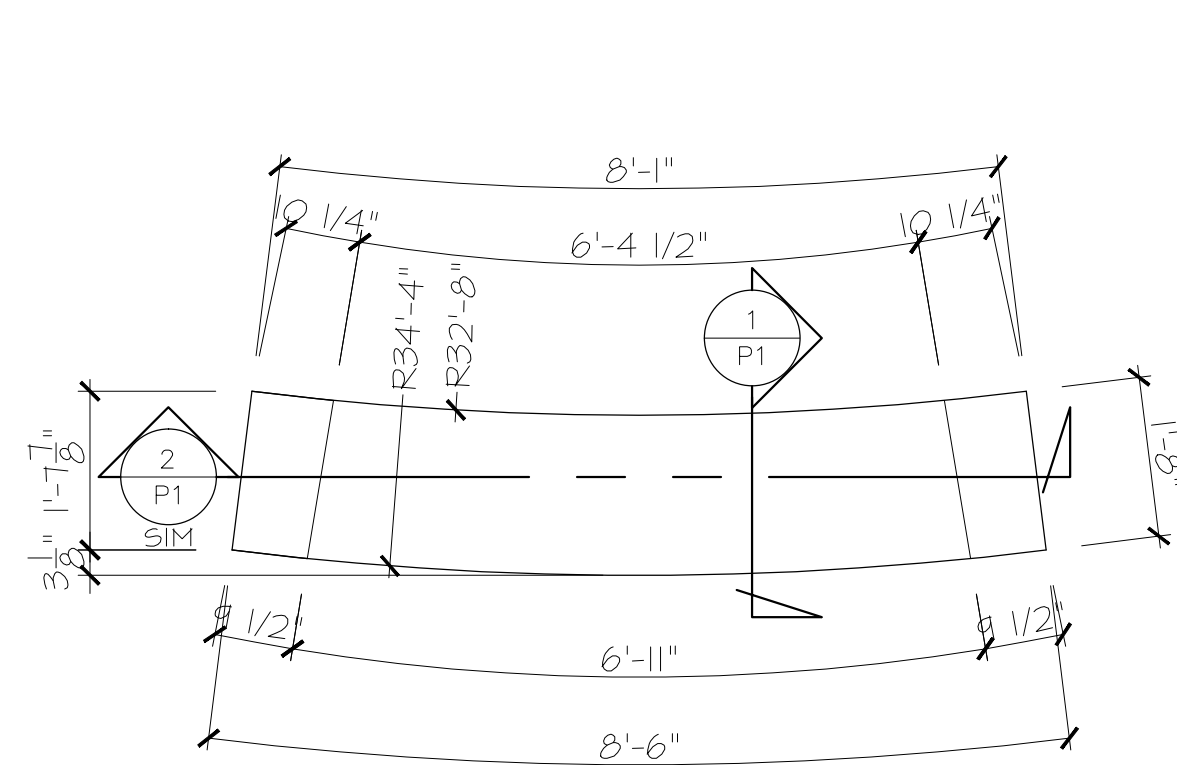
WHITING TURNER CONTRACTING

I HAVE REVIEWED THESE DRAWINGS AND THEY ARE APPROVED FOR PRODUCTION. MY SIGNATURE BELOW CONFIRMS MY UNDERSTANDING AND ACCEPTANCE OF THE FOLLOWING CONDITIONS.

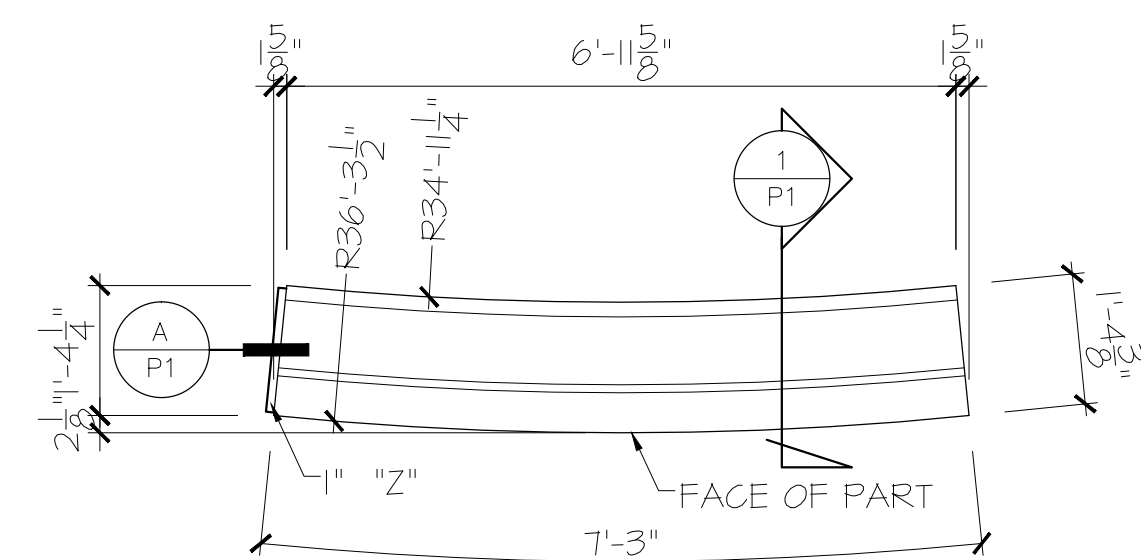
1. ANY CHANGES TO THESE DRAWINGS NOT INITIALED BY ME WILL BE IGNORED BY FCBP.
2. ANY CHANGES TO THESE DRAWINGS MAY RESULT IN A PRICE ADJUSTMENT.
3. ANY UNCORRECTED ERRORS CONTAINED IN THESE DRAWINGS ARE MY RESPONSIBILITY.
4. ANY CHANGES TO THESE DRAWINGS WHICH CREATE UNCORRECTED ERRORS ARE MY RESPONSIBILITY.
5. FCBP HAS CONTRACTED TO SUPPLY THE MATERIAL QUANTITIES PRINTED ON THESE DRAWINGS. ANY ADDITIONAL MATERIAL WILL BE BILLED SEPARATELY FROM THE ORIGINAL PURCHASE ORDER.

SIGNATURE _____ DATE _____

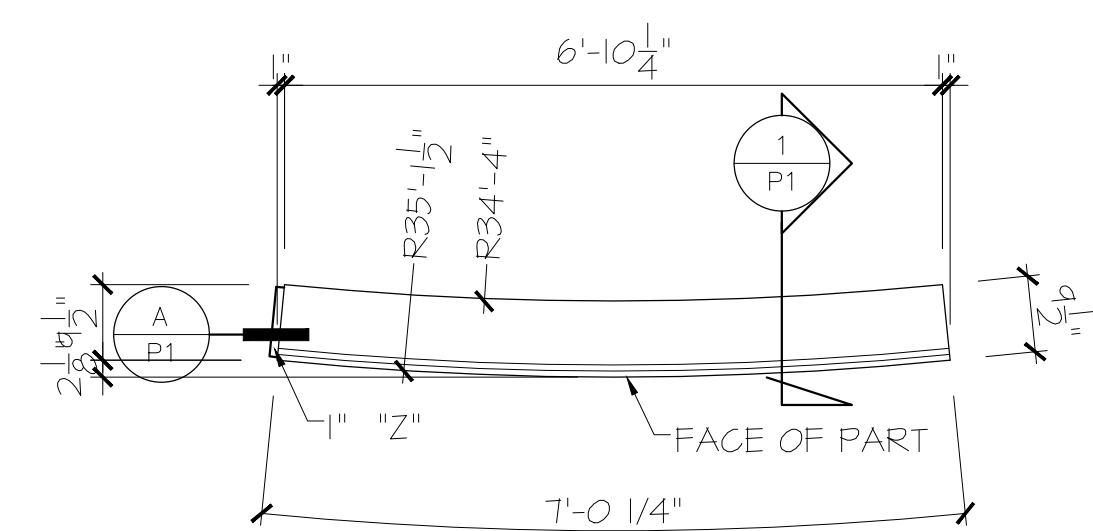
THIS ORDER CANNOT BE RELEASED FOR PRODUCTION WITHOUT YOUR SIGNATURE!



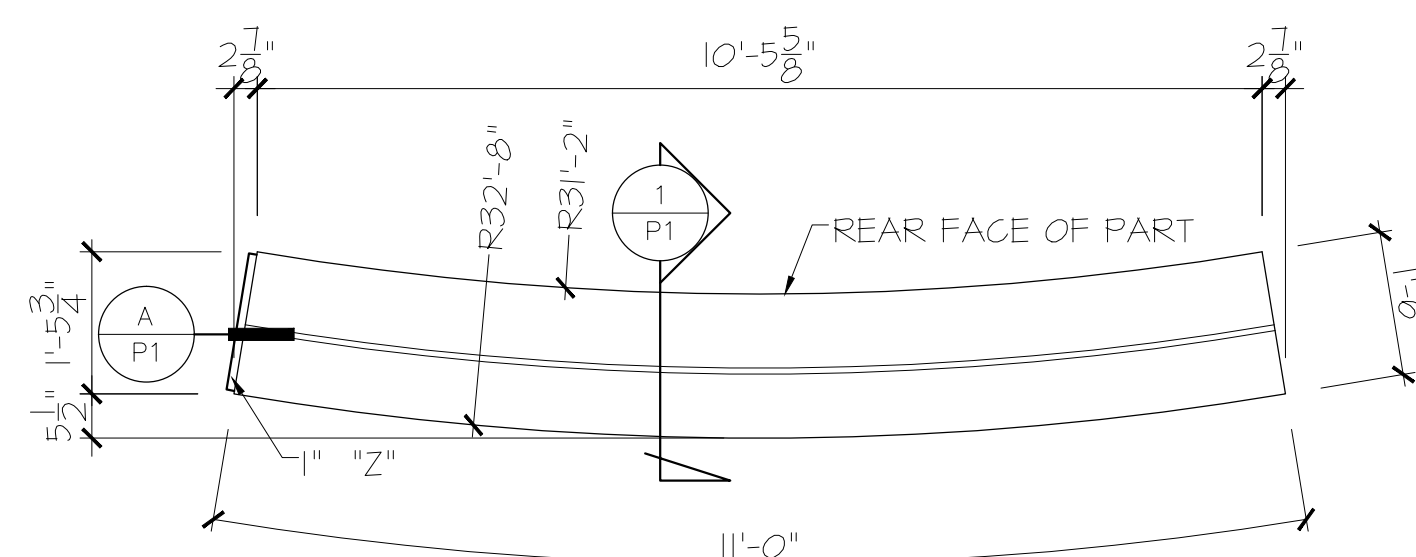
12 REFLECTIVE PLAN VIEW
SCALE: 1/2" = 1'-0"
2E / P1



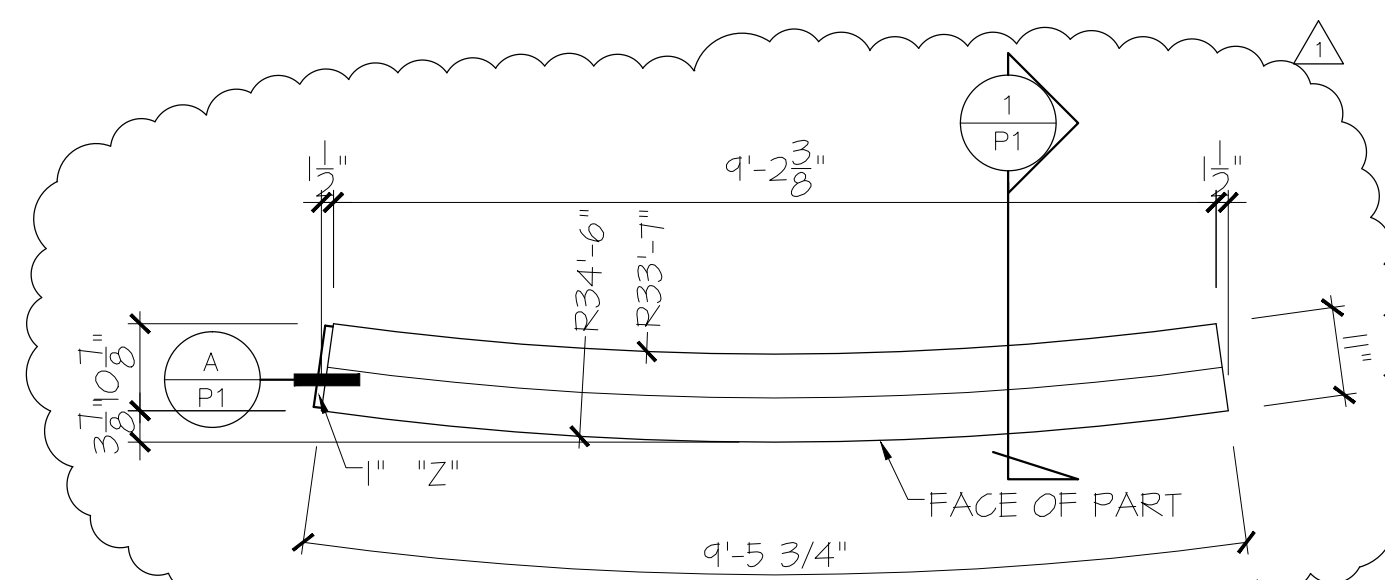
13 REFLECTIVE PLAN VIEW
SCALE: 1/2" = 1'-0"
3B / P1



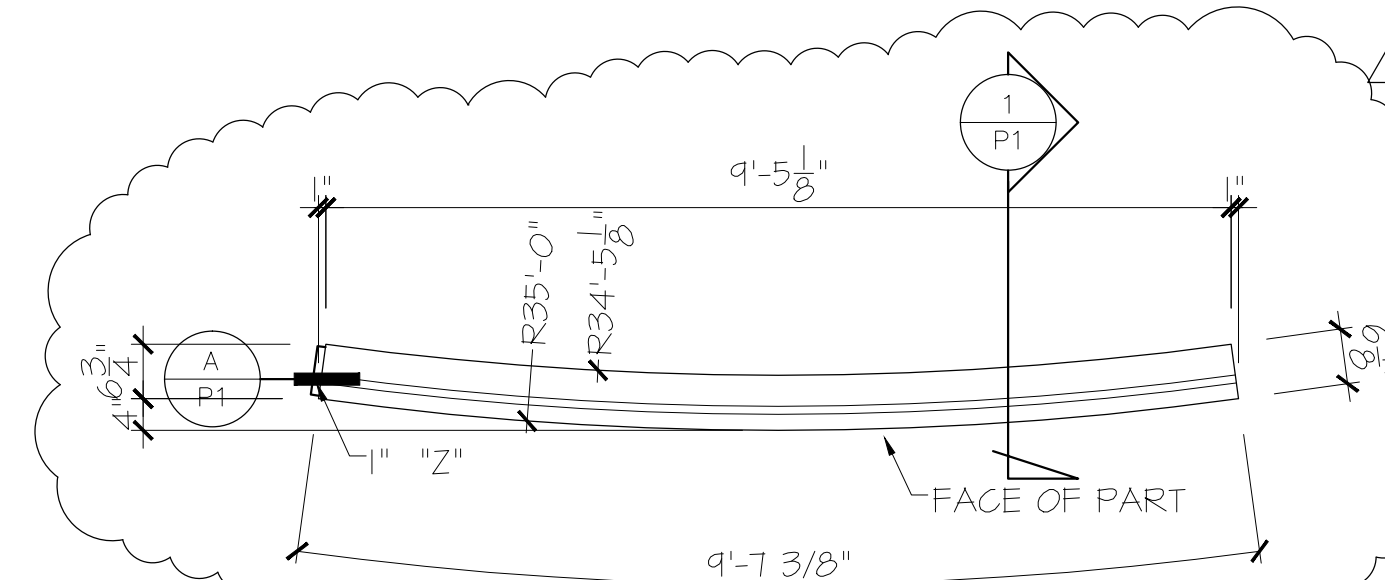
14 REFLECTIVE PLAN VIEW
SCALE: 1/2" = 1'-0"
3C / P1 4C / P1
5C / P1 6C / P1



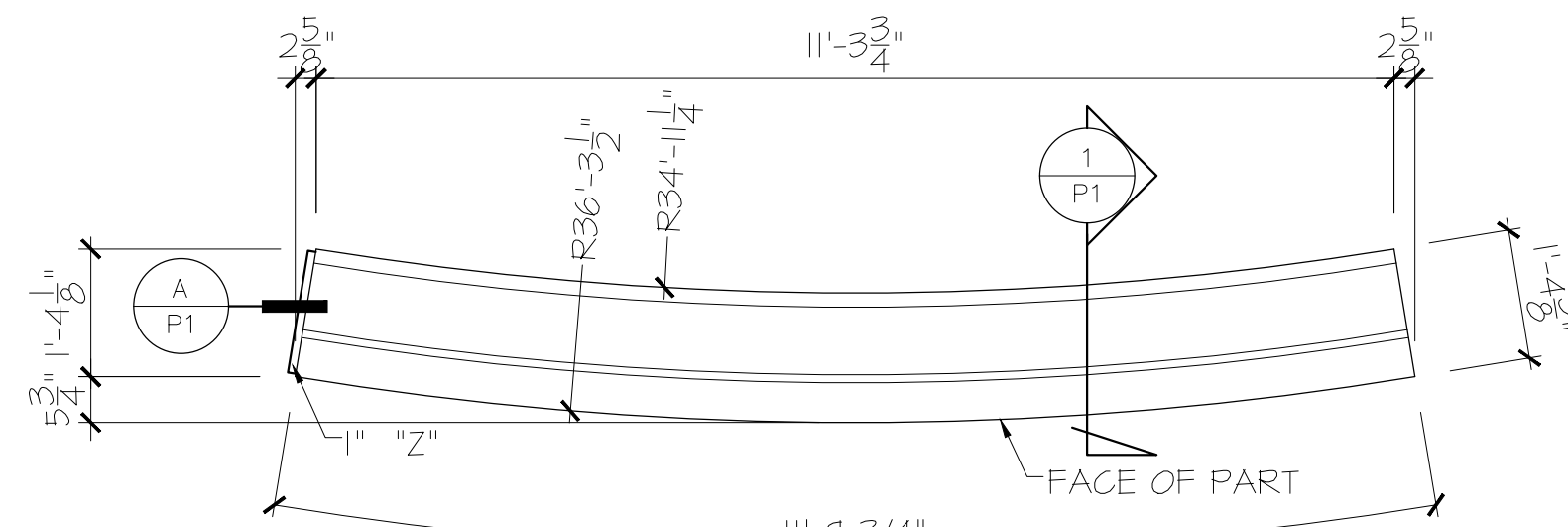
15 REFLECTIVE PLAN VIEW
SCALE: 1/2" = 1'-0"
3D / P1



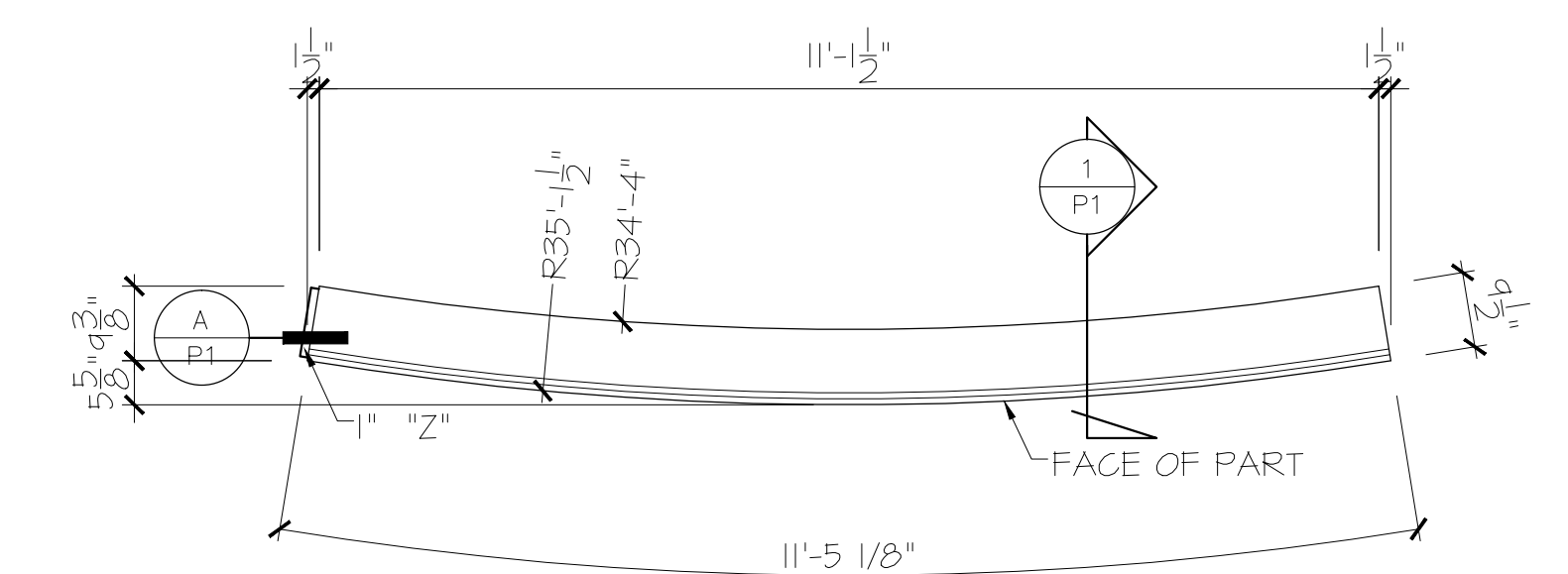
7 REFLECTIVE PLAN VIEW
SCALE: 1/2" = 1'-0"
02 / P1



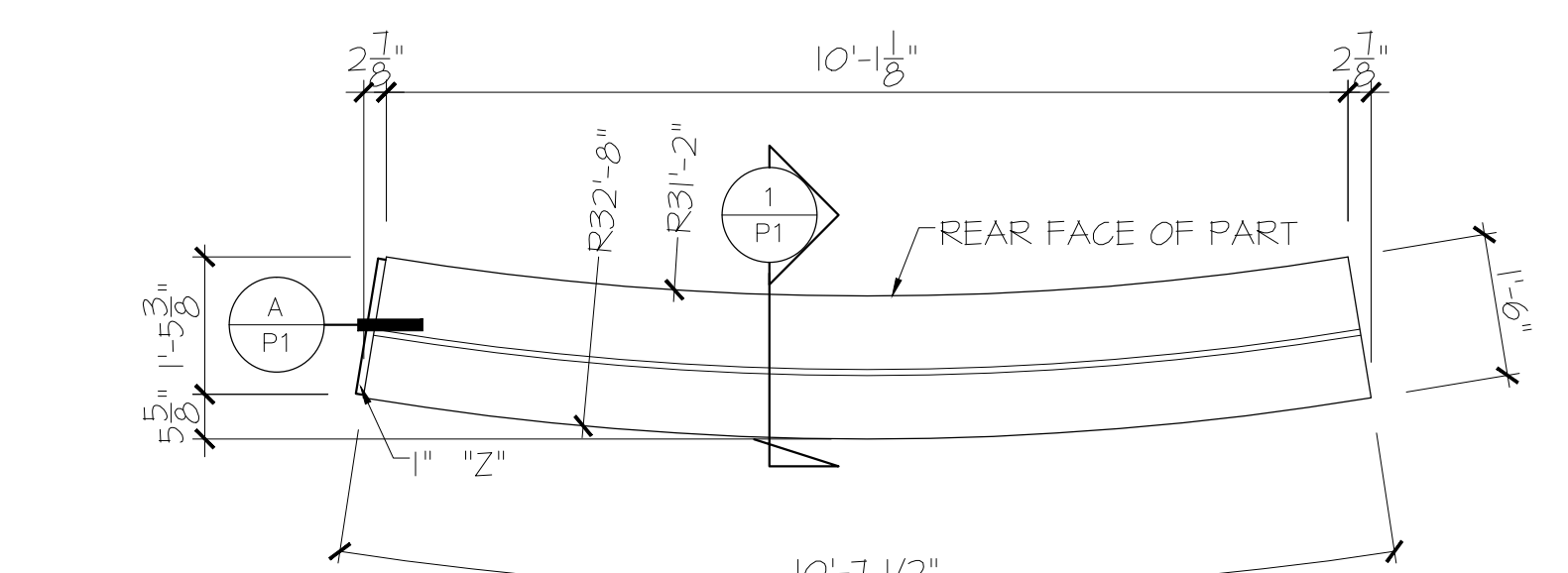
8 REFLECTIVE PLAN VIEW
SCALE: 1/2" = 1'-0"
2A / P1



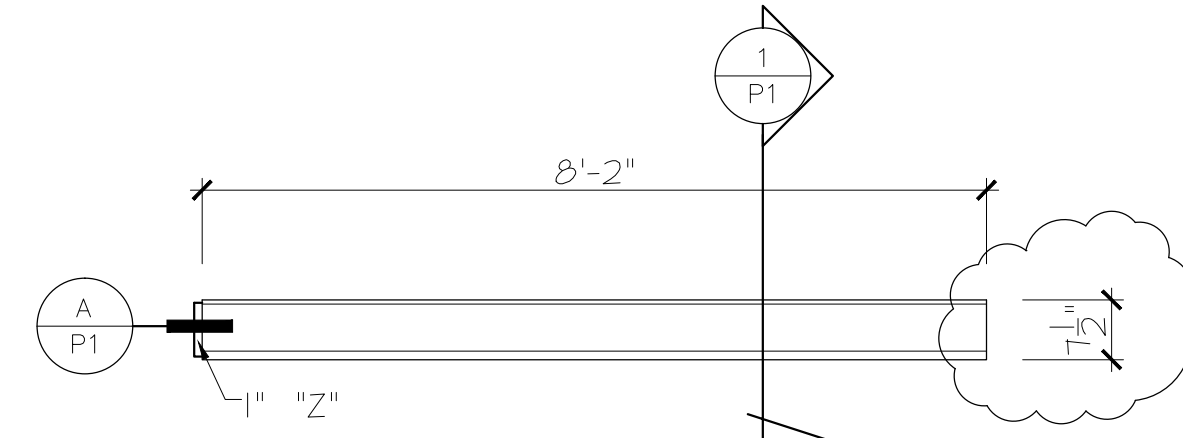
9 REFLECTIVE PLAN VIEW
SCALE: 1/2" = 1'-0"
2B / P1



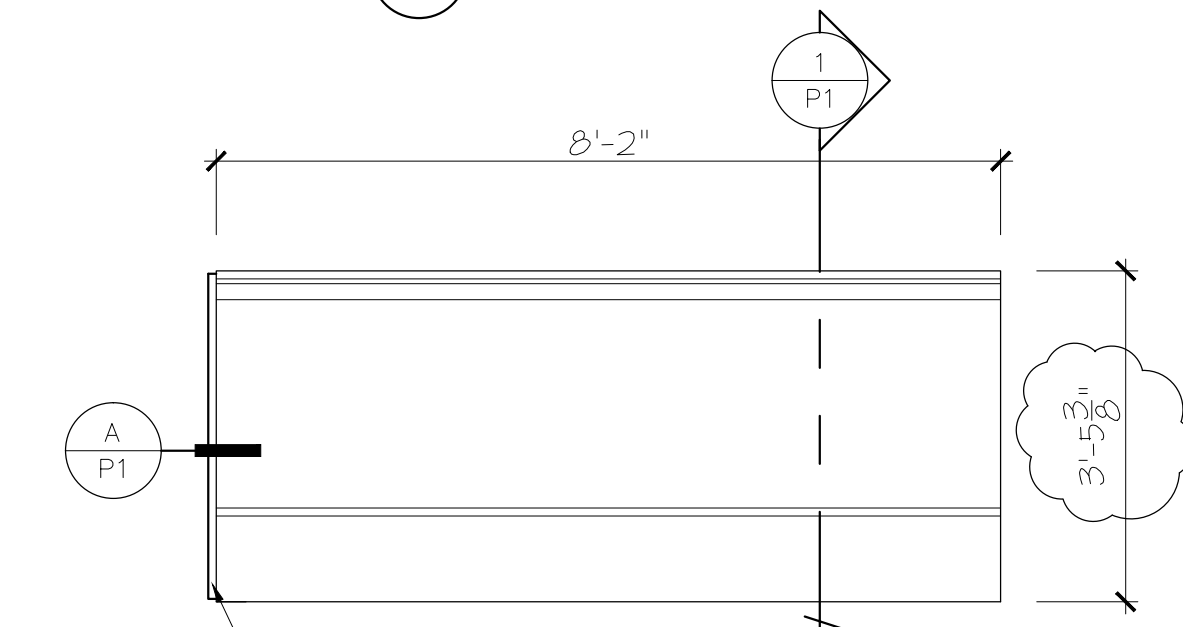
10 REFLECTIVE PLAN VIEW
SCALE: 1/2" = 1'-0"
2C / P1



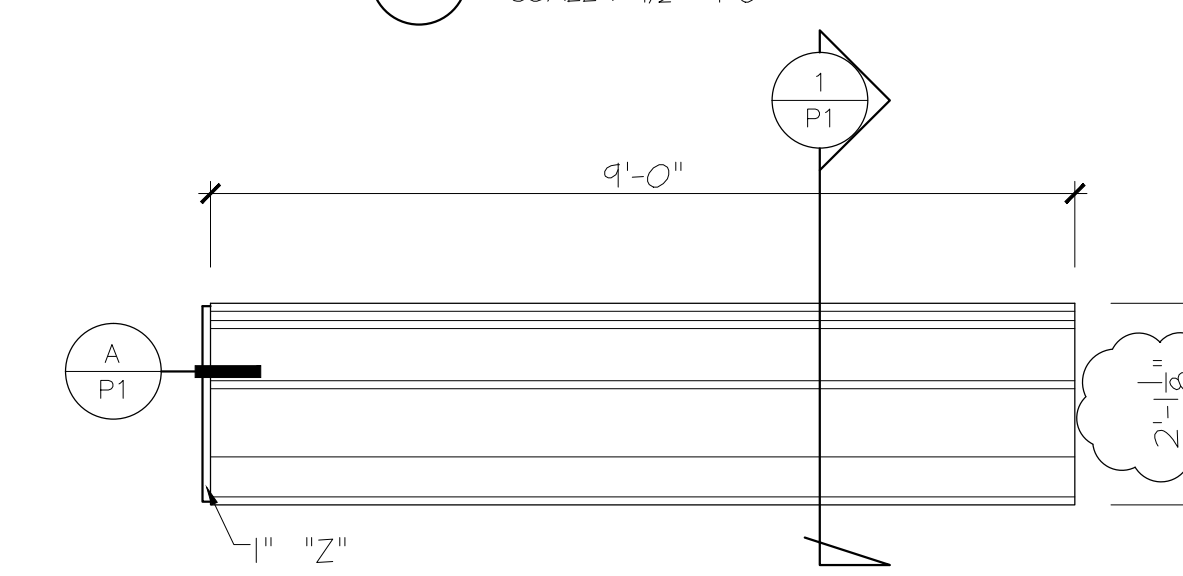
11 REFLECTIVE PLAN VIEW
SCALE: 1/2" = 1'-0"
2D / P1



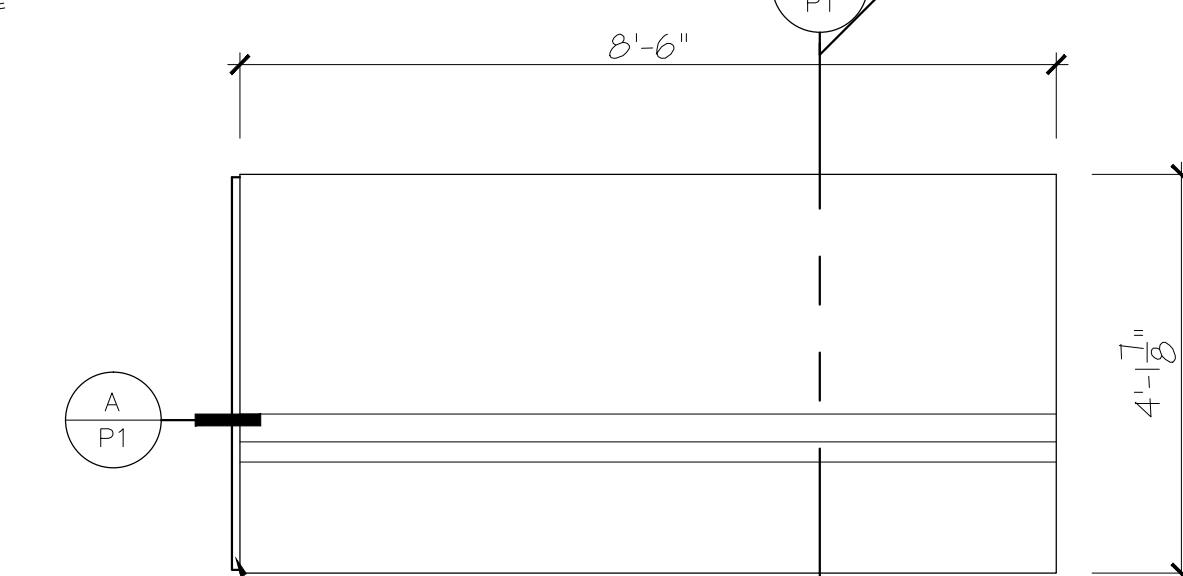
1 ELEVATION
SCALE: 1/2" = 1'-0"
01 / P1



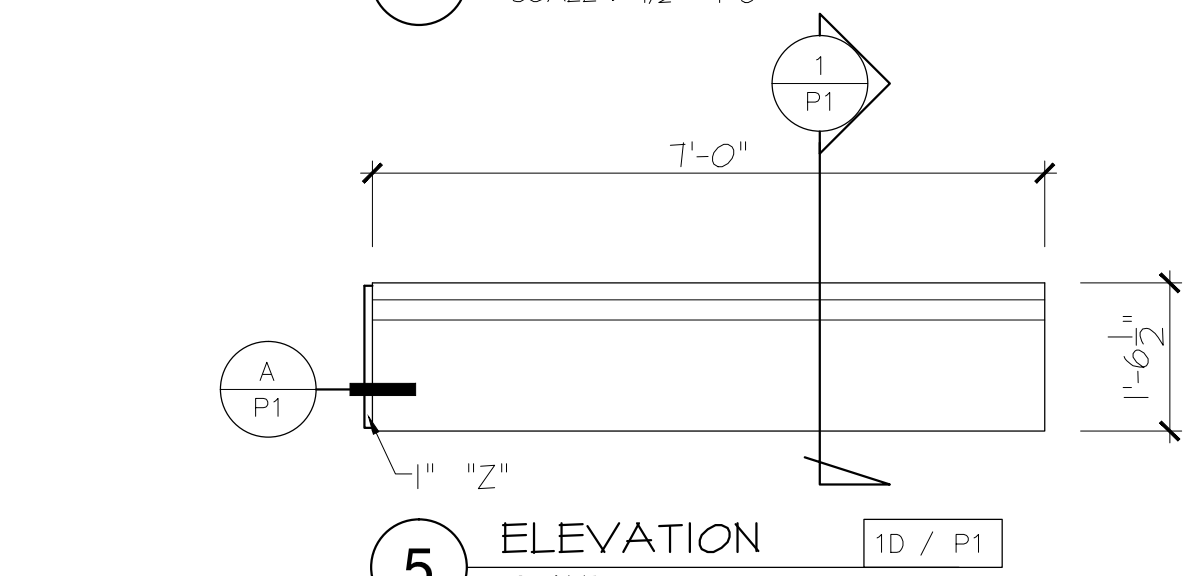
2 ELEVATION
SCALE: 1/2" = 1'-0"
1A / P1



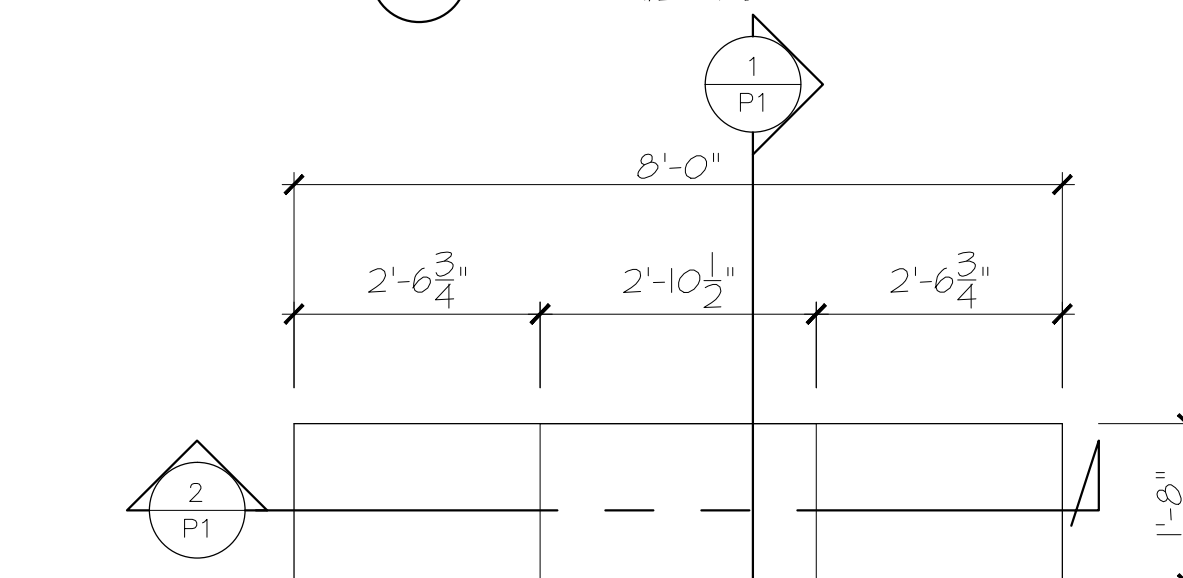
3 ELEVATION
SCALE: 1/2" = 1'-0"
1B / P1



4 ELEVATION
SCALE: 1/2" = 1'-0"
1C / P1



5 ELEVATION
SCALE: 1/2" = 1'-0"
1D / P1



6 REFLECTIVE PLAN VIEW
SCALE: 1/2" = 1'-0"
1E / P1



FIRST CLASS
Building Products, Inc.
3600 DALLAS HIGHWAY
SUITE 230-387
MARIETTA GA 30064
WWW.FIRSTCLASSBP.COM

THESE PLANS AND THE DESIGN CONTAINED THEREIN ARE THE SOLE PROPERTY OF FIRST CLASS BUILDING PRODUCTS (FCBP). THESE PLANS MAY NOT BE REPRODUCED OR USED WITHOUT WRITTEN PERMISSION OF FCBP. UNAUTHORIZED USE SHALL INVOKE A CLAIM FOR INFRINGEMENT BY FCBP. ALL FABRICATORS, CONTRACTORS, ARCHITECTS AND OTHERS UTILIZING THESE PLANS IN CONNECTION WITH THIS PROJECT ARE RESPONSIBLE FOR THEIR OWN MEASUREMENTS AND DIMENSIONS ON THE JOB. FCBP ASSUMES NO RESPONSIBILITY FOR WORK DONE BY CONTRACTORS, NOR FOR ANY CHANGES MADE NECESSARY BY LOCAL BUILDING CODES, ORDINANCES, STRUCTURAL FABRICATORS, CONTRACTORS, AND ALL OTHER PERSONS UTILIZING THESE PLANS. REFERENCE IS MADE TO THE GENERAL NOTES FOR EXAMINING AND BECOMING FAMILIAR WITH SAID GENERAL NOTES BEFORE COMMENCING ANY WORK DONE ON THIS PROJECT. ANY INCONSISTENCIES BETWEEN THESE PLANS, THE GENERAL NOTES, AND THE LOCAL BUILDING CODES OR ORDINANCES, MUST IMMEDIATELY BE CALLED TO THE ATTENTION OF FCBP IN WRITING SO THAT ANY INCONSISTENCIES CAN BE RESOLVED. FCBP IS NOT RESPONSIBLE FOR ANY ARCHITECTURAL OR ENGINEERING DETAILS OR SPECIFICATIONS. THE USE BY ANY PERSON OR FIRM OF THESE PLANS OR ANY PART THEREOF SHALL NOT IN ANY WAY SUBJECT FCBP TO ANY COST OR DAMAGES FOR ANY ERROR OR OMISSION CONTAINED THEREIN.

| CLIENT UPDATE | 3-10-11 | DS |
|----------------------------|----------|----|
| REVISION | DATE | BY |
| No. | | |
| REVISIONS | | |
| RADFORD UNIVERSITY | | |
| RADFORD, VA | | |
| WHITING-TURNER CONTRACTING | | |
| SCALE | AS SHOWN | |
| DRAWN BY | DS | |
| DEC. PROJ. MGR. | | |
| APPROVED BY | | |
| QUOTE NO. | 13148-2 | |
| DATE | 12-29-10 | |

ECHO STONE CORNICE

SHEET No. **P1-CONT.**

JOB NO. 10-2861

(A)

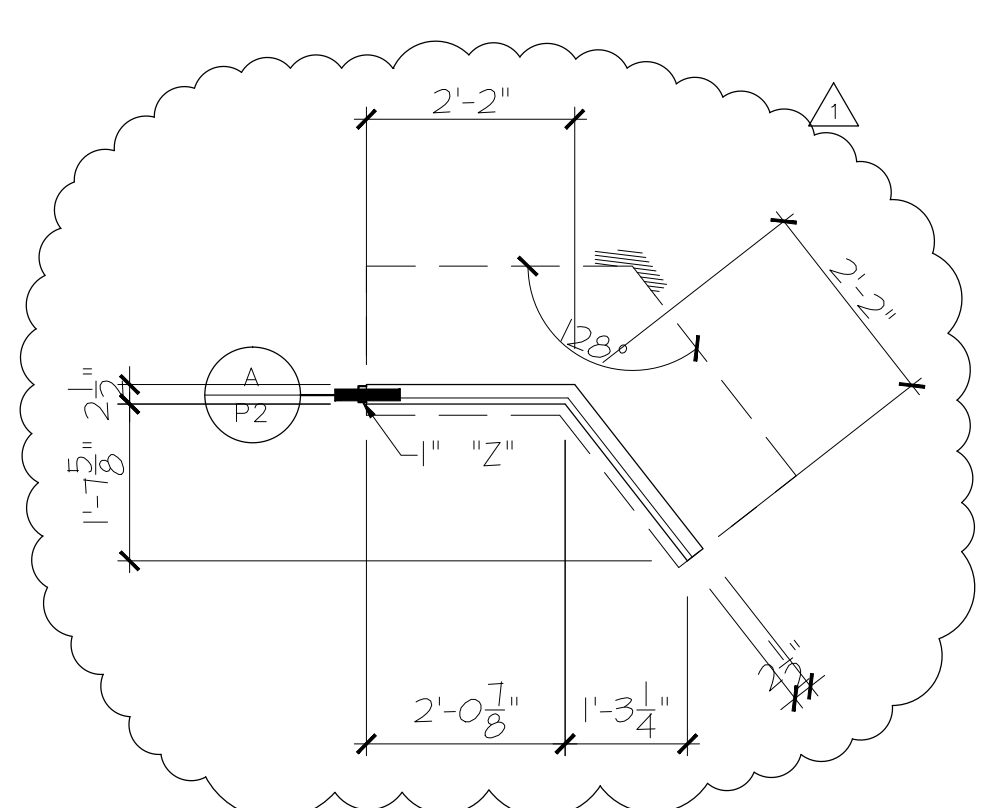
ECHO STONE CORNICE

AS SHOWN

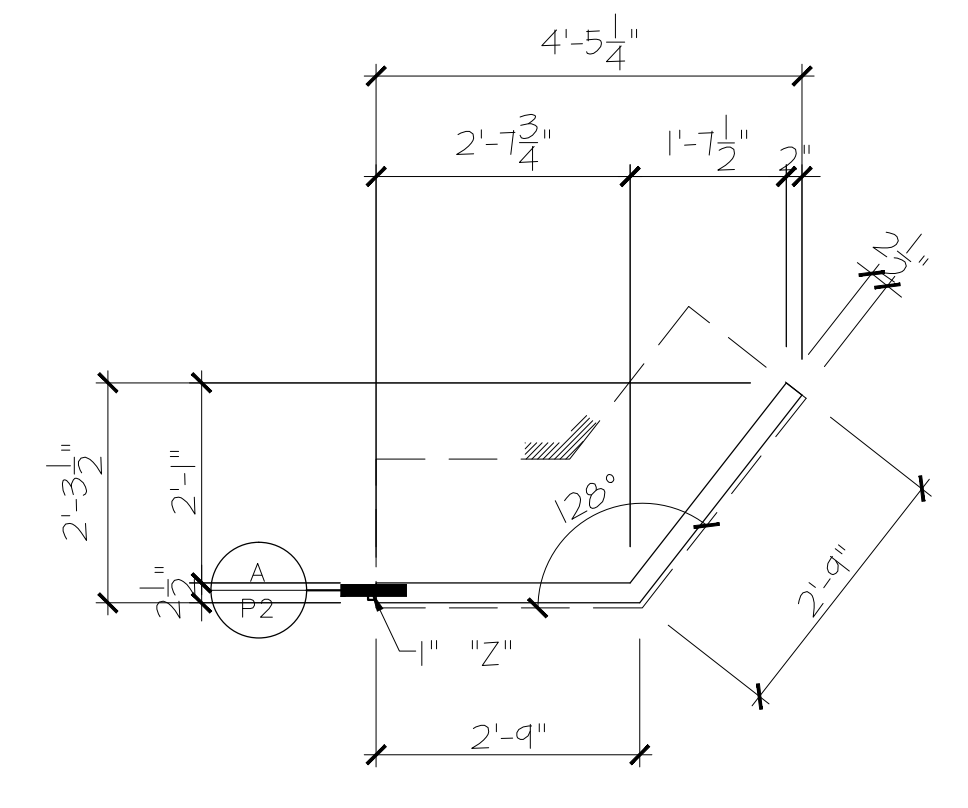
1



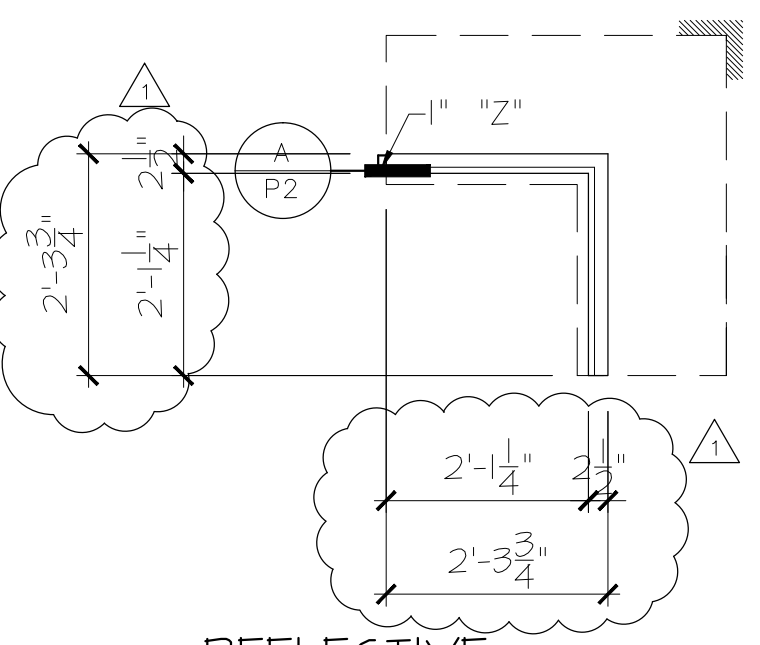
THESE PLANS AND THE DESIGNS CONTAINED THEREIN ARE THE SOLE PROPERTY OF FIRST CLASS BUILDING PRODUCTS (HEREINAFTER DESIGNATED "FCBP"). THESE PLANS MAY NOT BE REPRODUCED OR USED WITHOUT WRITTEN PERMISSION OF FCBP. UNAUTHORIZED USE SHALL INURE TO THE BENEFIT OF FCBP. ALL FABRICATORS, CONTRACTORS, PLUMBERS AND ELECTRICAL CONTRACTORS SHALL BE RESPONSIBLE FOR OBTAINING ALL NECESSARY PERMITS, LOCAL BUILDING CODES, ORDINANCES, CONDITIONS, PLUMBING AND ELECTRICAL INFORMATION AND ORDINANCES FOR THE SOLE PURPOSE OF INDICATING THE REQUIREMENTS OF THE BUILDING CODES, ORDINANCES, CONDITIONS, FCBP ASSUMES NO RESPONSIBILITY FOR WORK DONE BY CONTRACTORS, NOR FOR ANY CHANGES MADE NECESSARY BY LOCAL BUILDING CODES, ORDINANCES, CONDITIONS, OR BY THE SUBSTITUTION OR CHANGES IN EQUIPMENT SHOWN ON THESE PLANS. REFERENCE IS MADE TO THE GENERAL NOTES WHICH ARE PART OF THESE PLANS, AND FABRICATORS, CONTRACTORS, AND ALL OTHER PERSONS UTILIZING THESE PLANS ARE ADVISED THAT THEY ARE RESPONSIBLE FOR EXAMINING AND BECOMING FAMILIAR WITH SAID GENERAL NOTES BEFORE COMMENCING ANY WORK DONE ON THIS PROJECT. ANY INCONSISTENCIES BETWEEN THESE PLANS, THE GENERAL NOTES, AND THE LOCAL BUILDING CODES, OR ORDINANCES, MUST IMMEDIATELY BE CALLED TO THE ATTENTION OF FCBP IN WRITING SO THAT ANY INCONSISTENCIES CAN BE RESOLVED. FCBP IS NOT RESPONSIBLE FOR ANY ARCHITECTURAL OR ENGINEERING DETAILS OR SPECIFICATIONS THE USE BY ANY PERSON OR FIRM OF THESE PLANS OR ANY PART THEREOF SHALL NOT IN ANY WAY SUBJECT FCBP TO ANY COST OR DAMAGES FOR ANY ERROR OR OMISSION CONTAINED THEREIN.



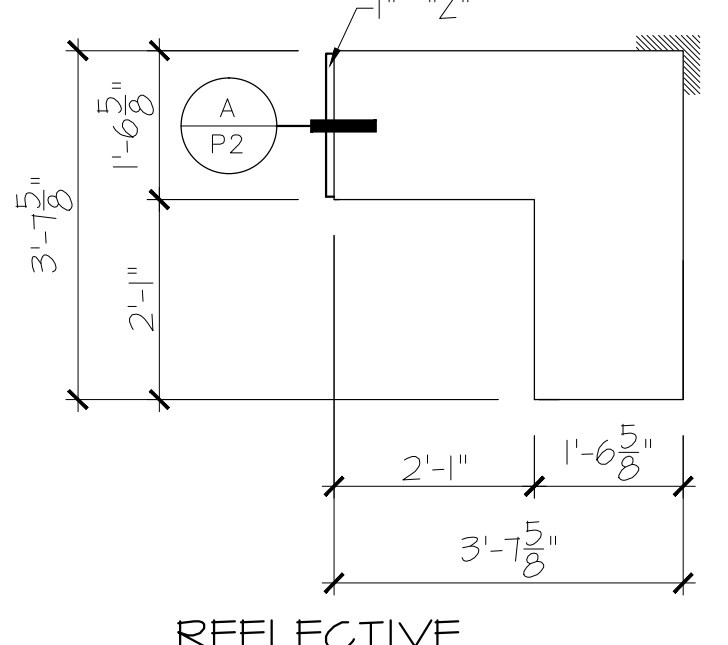
25 REFLECTIVE PLAN VIEW
SCALE: 1/2" = 1'-0"



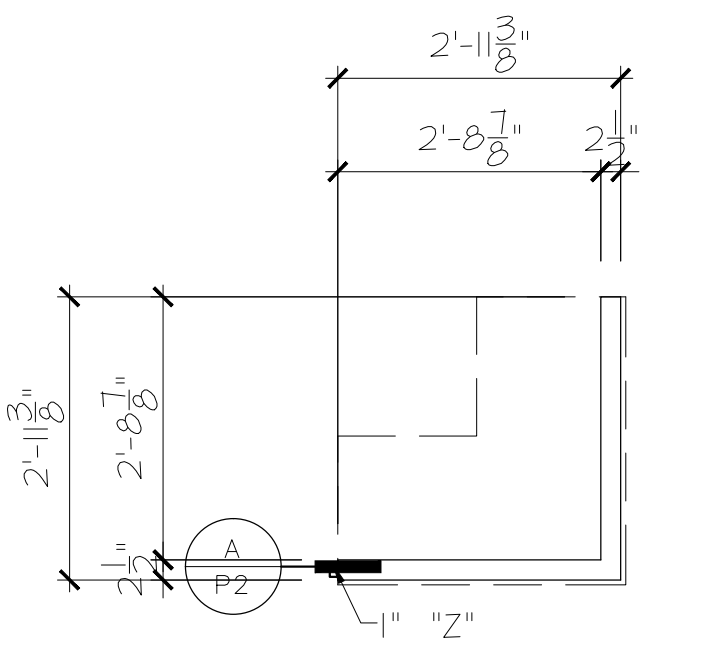
21 REFLECTIVE PLAN VIEW
SCALE: 1/2" = 1'-0"



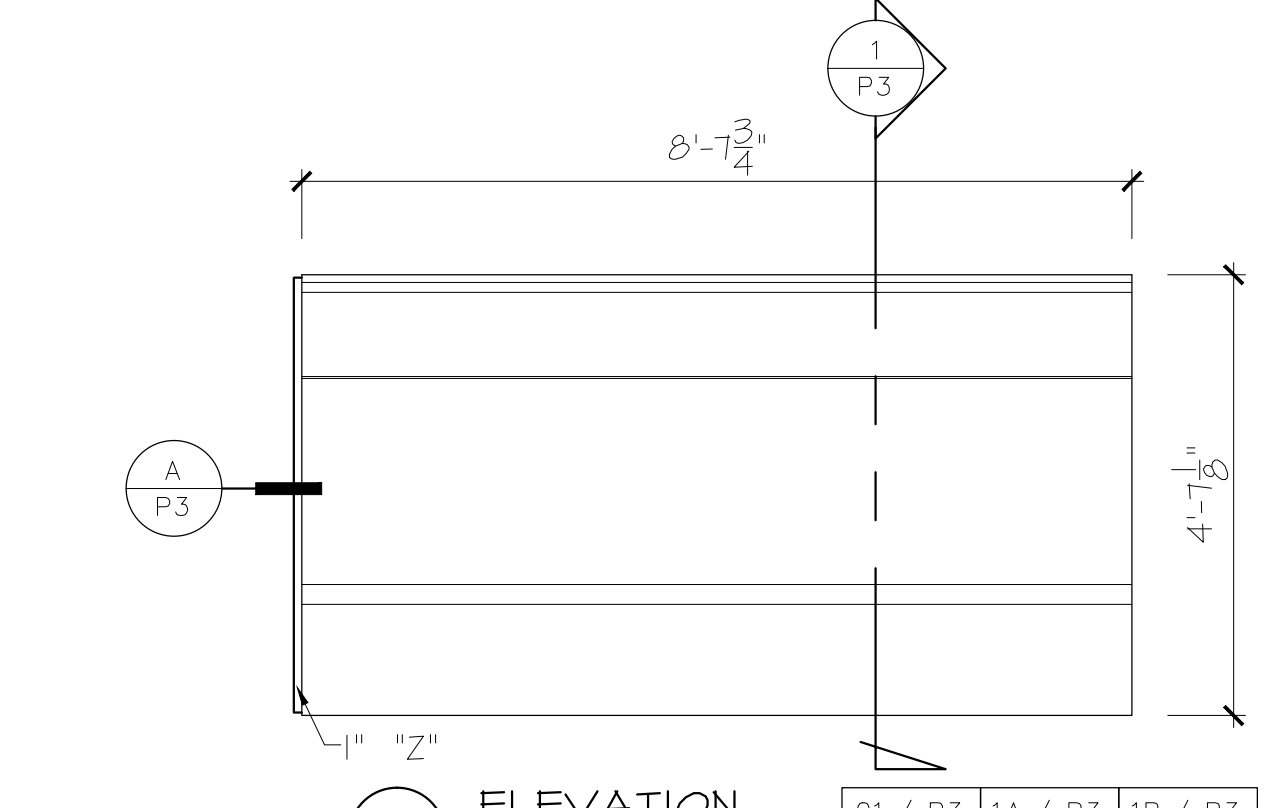
16 REFLECTIVE PLAN VIEW
SCALE: 1/2" = 1'-0"



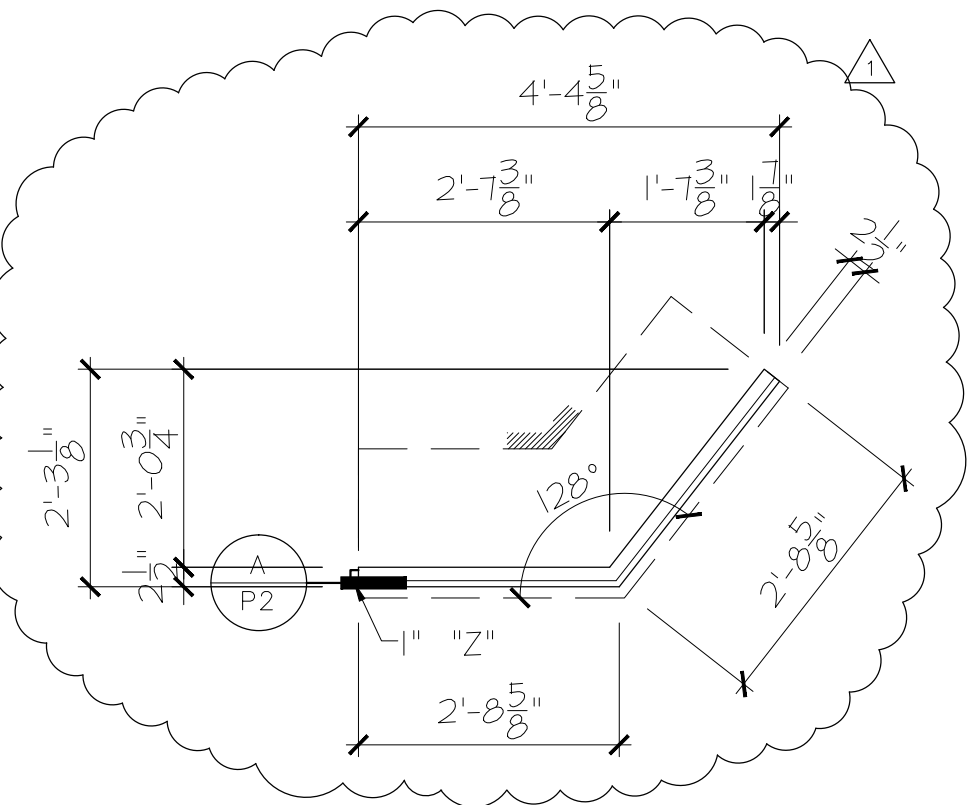
11 REFLECTIVE PLAN VIEW
SCALE: 1/2" = 1'-0"



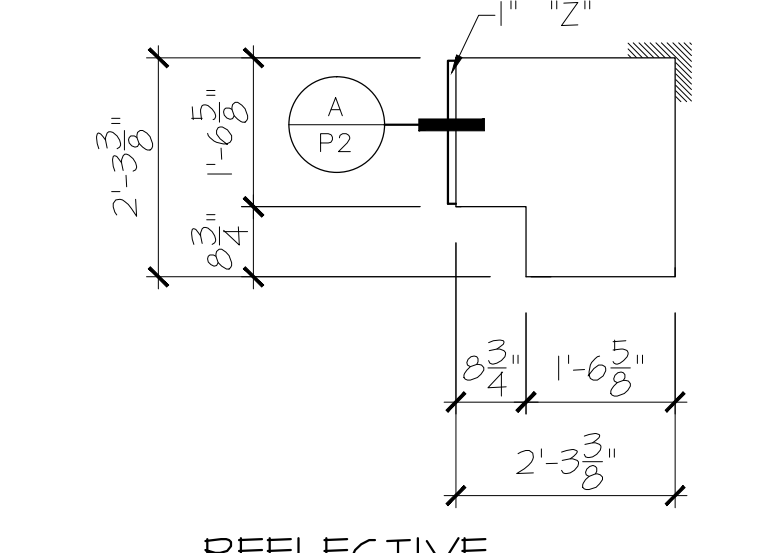
6 REFLECTIVE PLAN VIEW
SCALE: 1/2" = 1'-0"



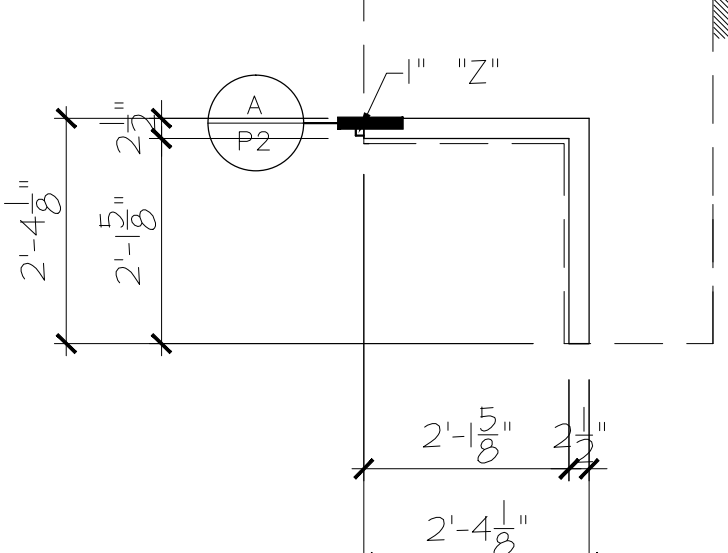
1 ELEVATION
SCALE: 1/2" = 1'-0"



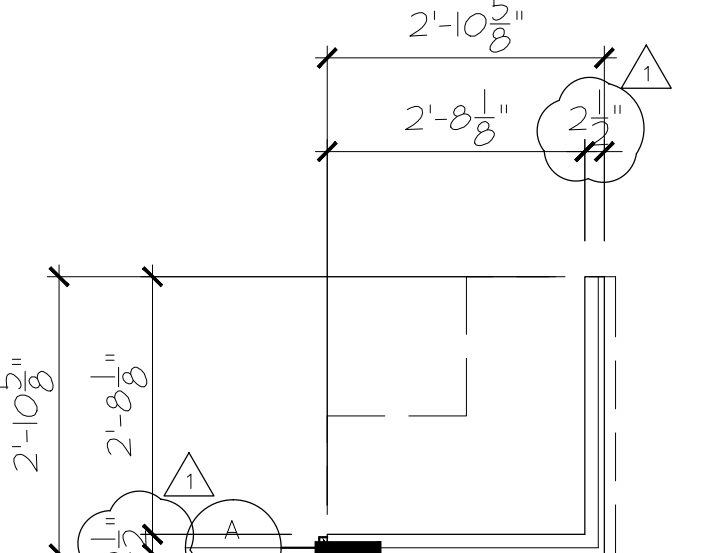
22 REFLECTIVE PLAN VIEW
SCALE: 1/2" = 1'-0"



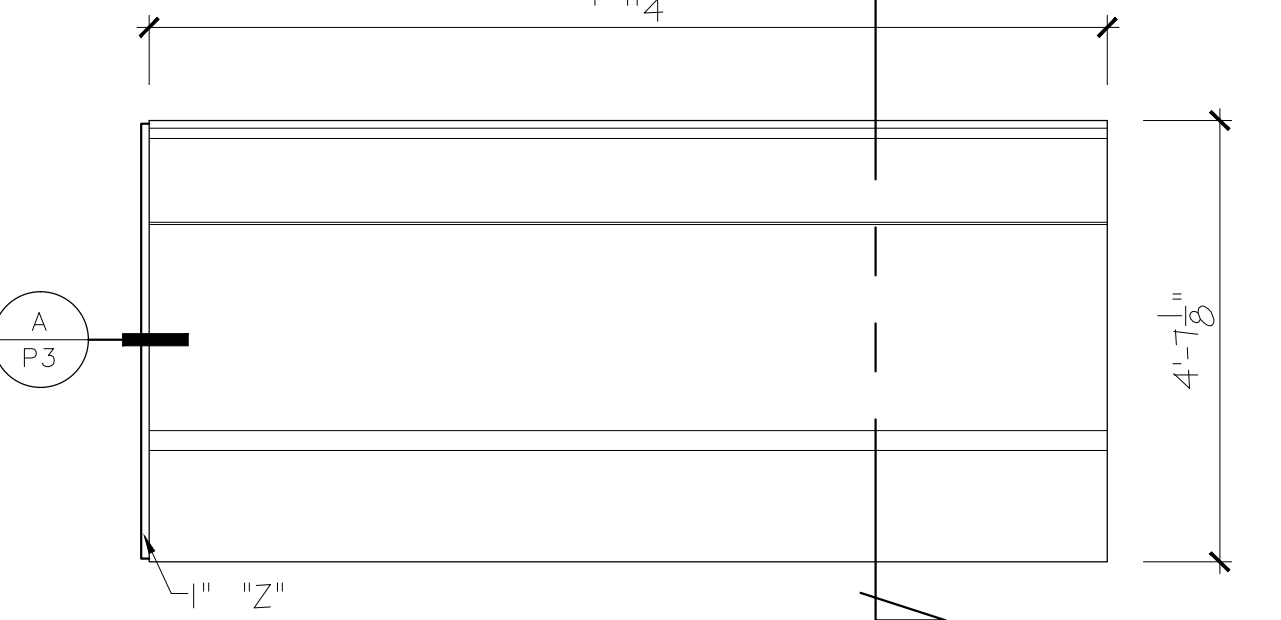
17 REFLECTIVE PLAN VIEW
SCALE: 1/2" = 1'-0"



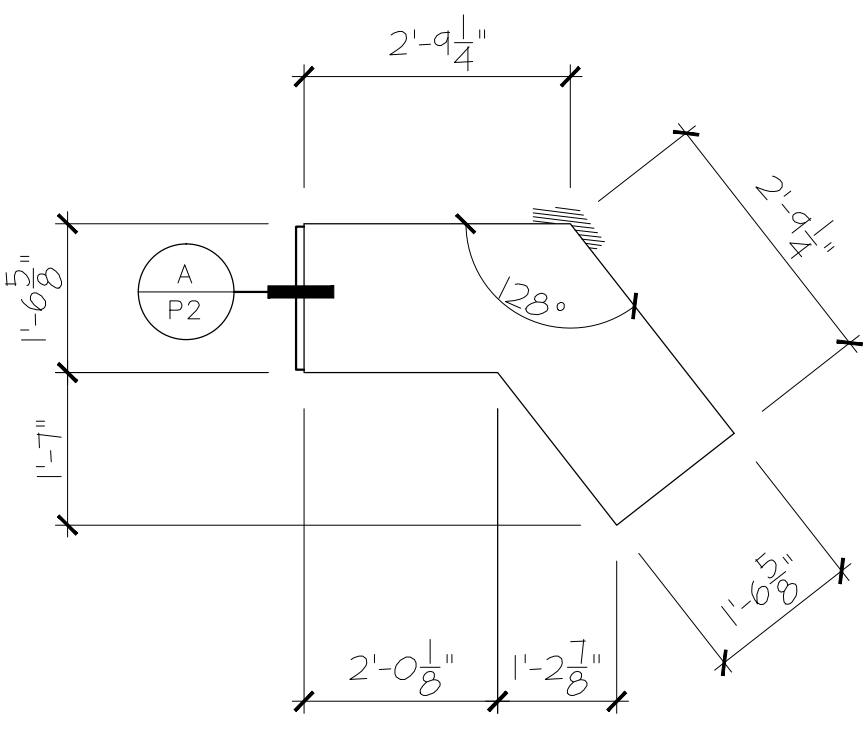
12 REFLECTIVE PLAN VIEW
SCALE: 1/2" = 1'-0"



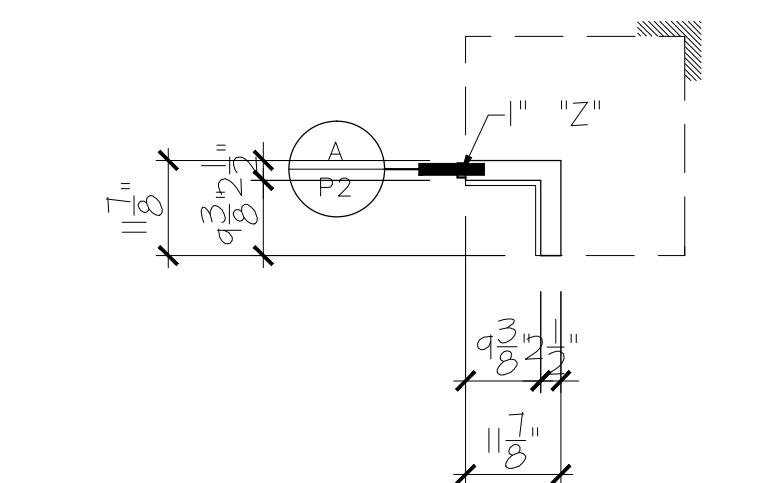
7 REFLECTIVE PLAN VIEW
SCALE: 1/2" = 1'-0"



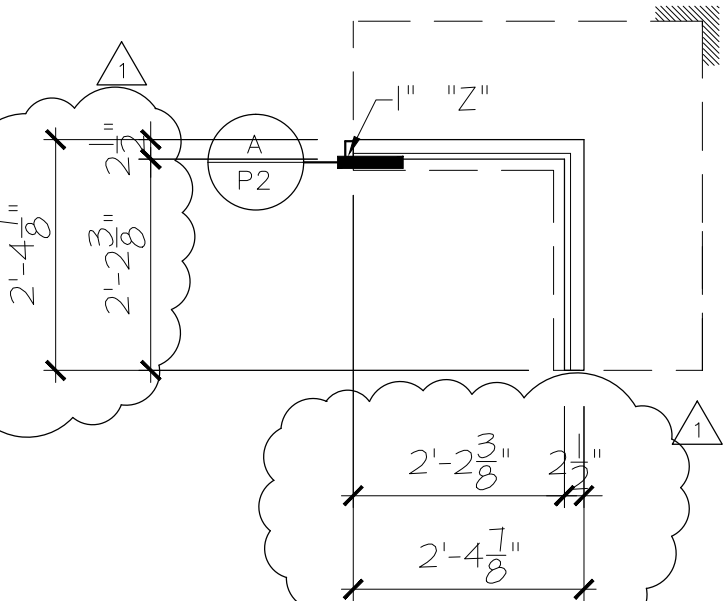
2 ELEVATION
SCALE: 1/2" = 1'-0"



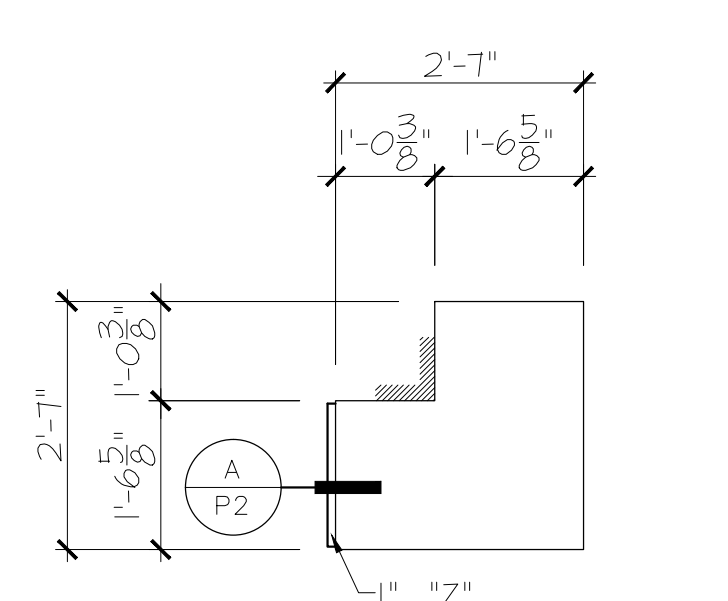
23 REFLECTIVE PLAN VIEW
SCALE: 1/2" = 1'-0"



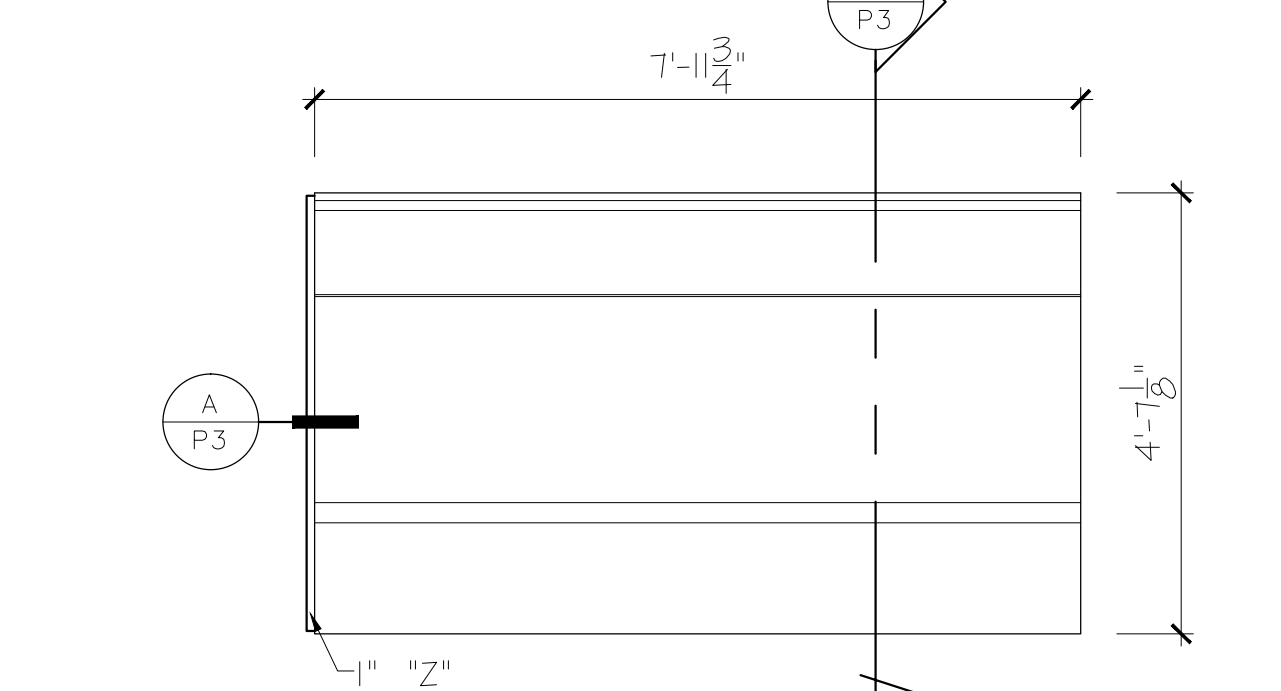
18 REFLECTIVE PLAN VIEW
SCALE: 1/2" = 1'-0"



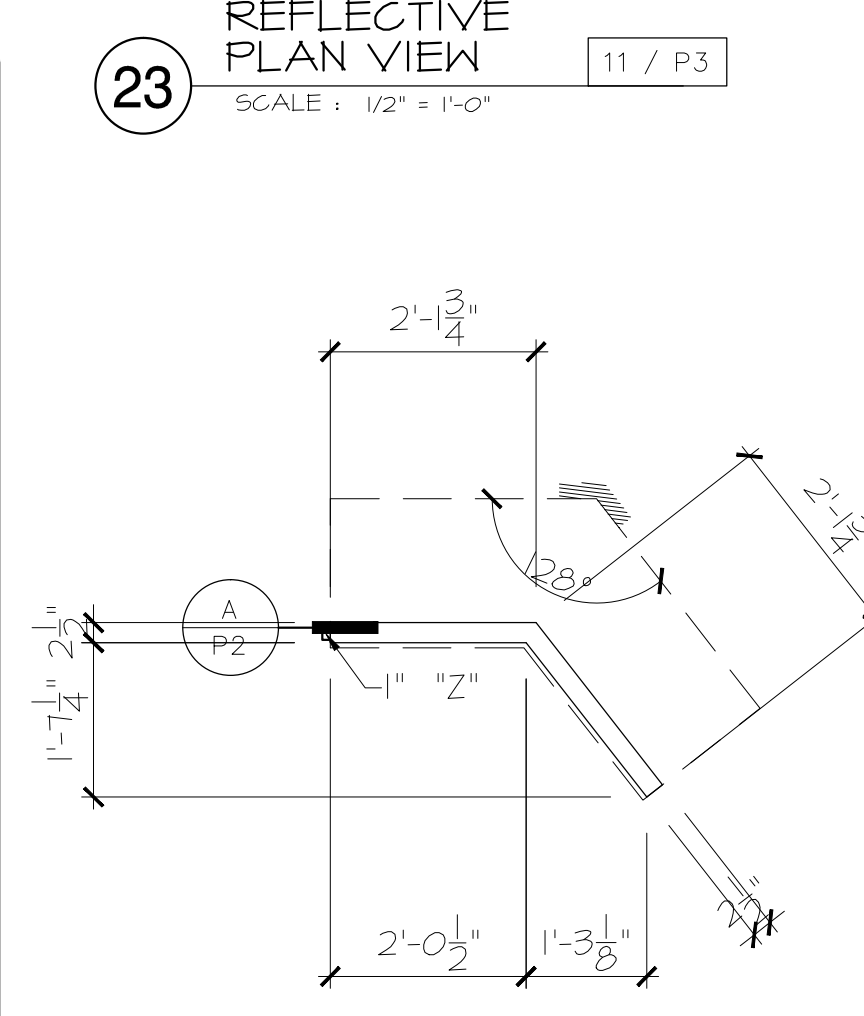
13 REFLECTIVE PLAN VIEW
SCALE: 1/2" = 1'-0"



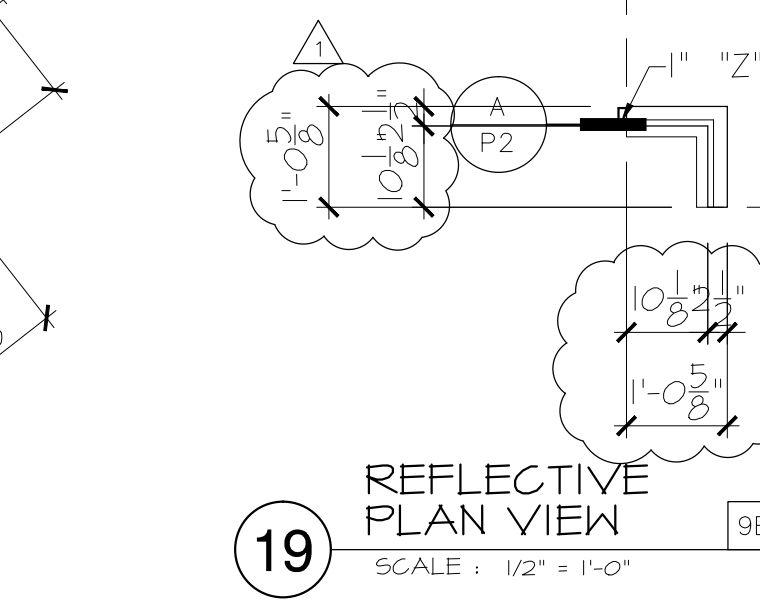
8 REFLECTIVE PLAN VIEW
SCALE: 1/2" = 1'-0"



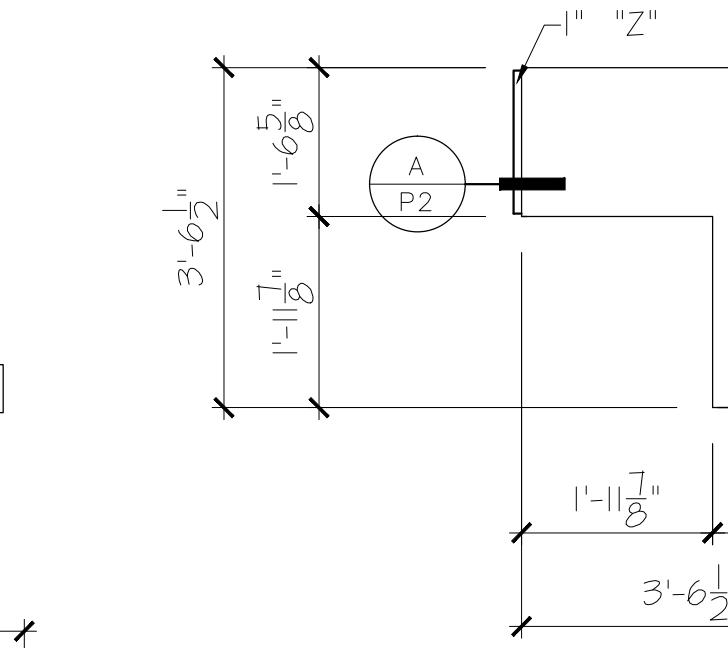
3 ELEVATION
SCALE: 1/2" = 1'-0"



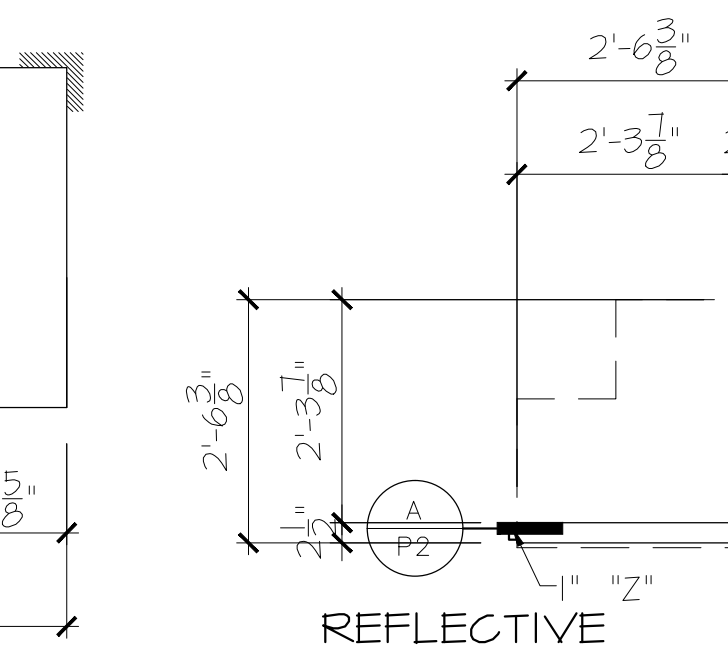
24 REFLECTIVE PLAN VIEW
SCALE: 1/2" = 1'-0"



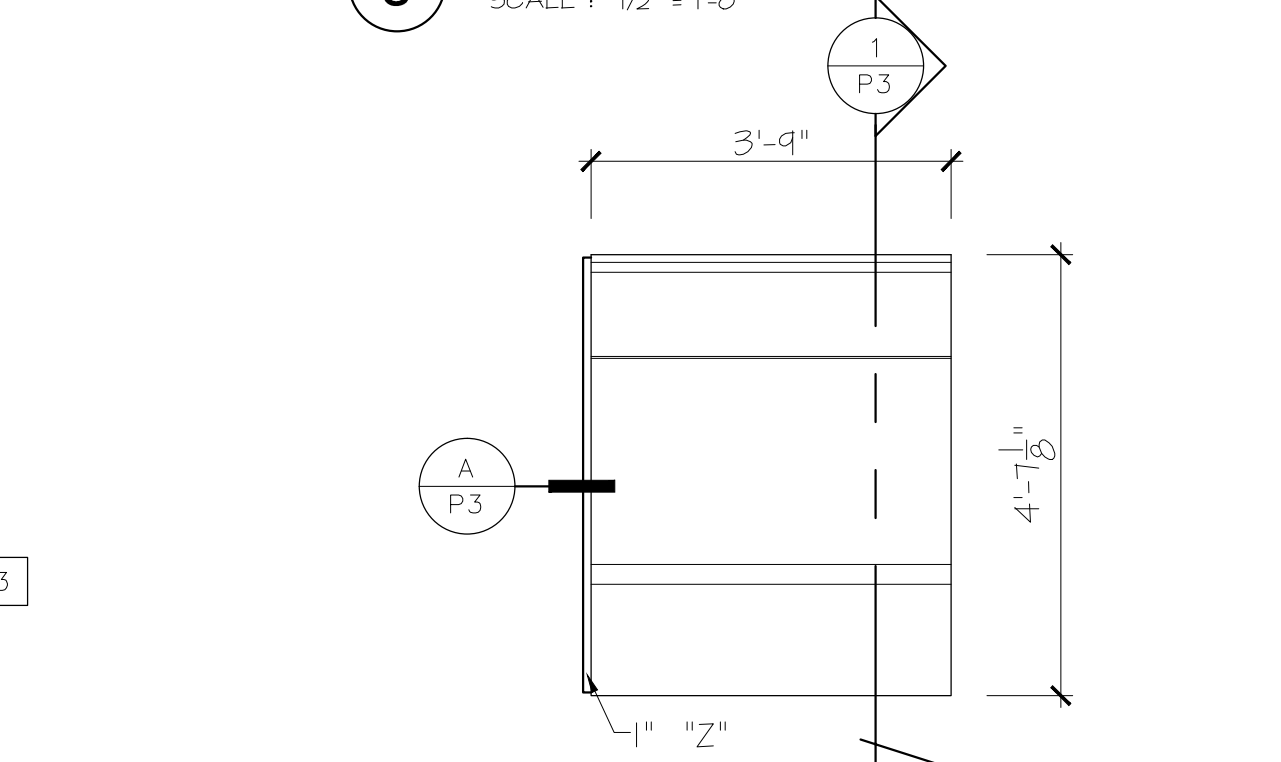
19 REFLECTIVE PLAN VIEW
SCALE: 1/2" = 1'-0"



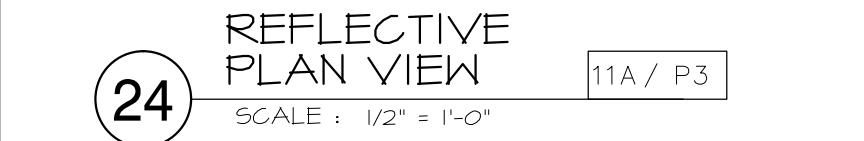
14 REFLECTIVE PLAN VIEW
SCALE: 1/2" = 1'-0"



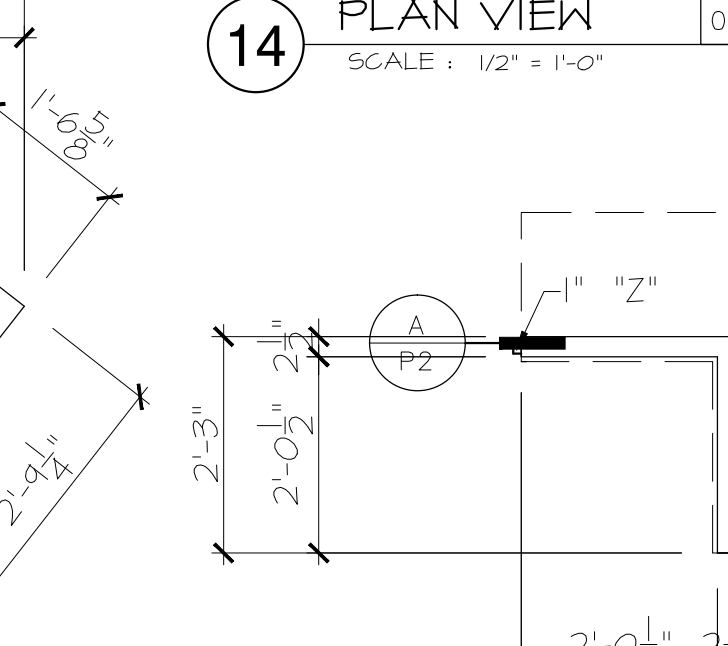
9 REFLECTIVE PLAN VIEW
SCALE: 1/2" = 1'-0"



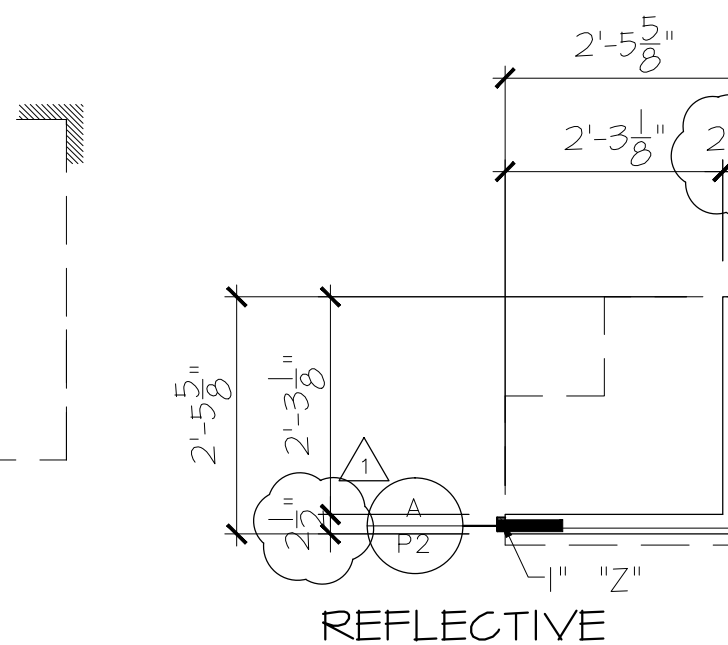
4 ELEVATION
SCALE: 1/2" = 1'-0"



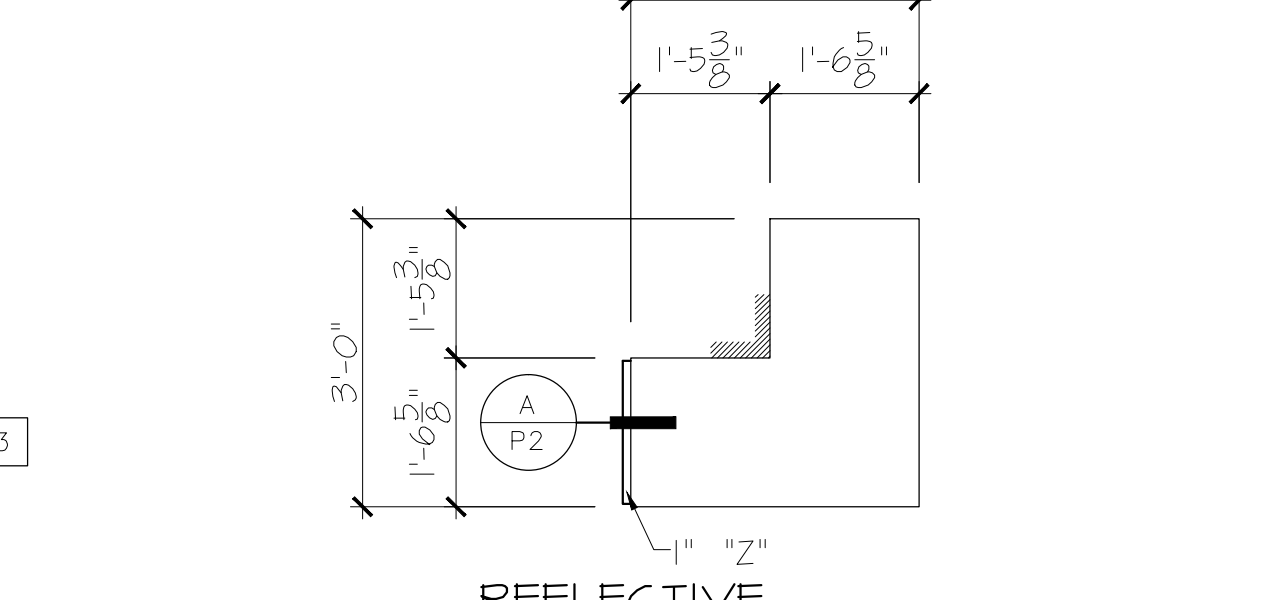
20 REFLECTIVE PLAN VIEW
SCALE: 1/2" = 1'-0"



15 REFLECTIVE PLAN VIEW
SCALE: 1/2" = 1'-0"



10 REFLECTIVE PLAN VIEW
SCALE: 1/2" = 1'-0"



5 REFLECTIVE PLAN VIEW
SCALE: 1/2" = 1'-0"

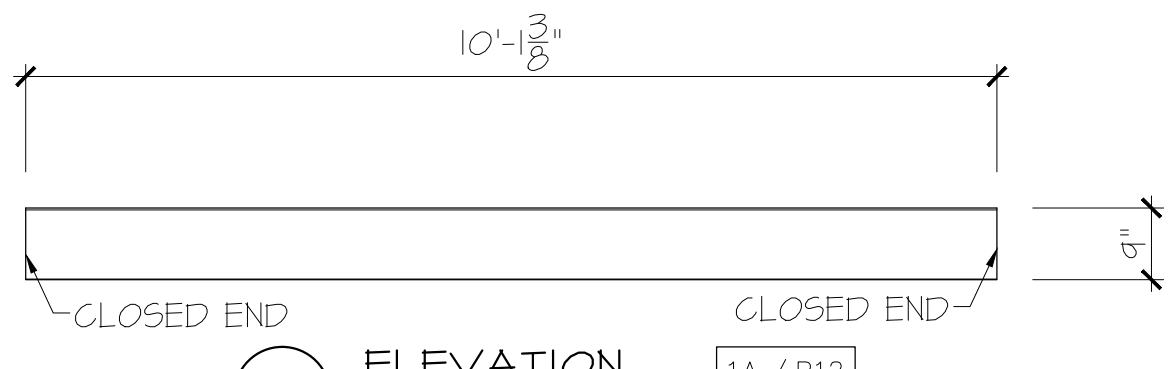
WHITING TURNER CONTRACTING
I HAVE REVIEWED THESE DRAWINGS AND THEY ARE APPROVED FOR PRODUCTION. MY SIGNATURE BELOW CONFIRMS MY UNDERSTANDING AND ACCEPTANCE OF THE FOLLOWING CONDITIONS.

1. ANY CHANGES TO THESE DRAWINGS NOT INITIALED BY ME WILL BE IGNORED BY FCBP.
2. ANY CHANGES TO THESE DRAWINGS MAY RESULT IN A PRICE ADJUSTMENT.
3. ANY UNCORRECTED ERRORS CONTAINED IN THESE DRAWINGS ARE MY RESPONSIBILITY.
4. ANY CHANGES TO THESE DRAWINGS WHICH CREATE UNCORRECTED ERRORS ARE MY RESPONSIBILITY.
5. FCBP HAS CONTRACTED TO SUPPLY THE MATERIAL QUANTITIES PRINTED ON THESE DRAWINGS. ANY ADDITIONAL MATERIAL WILL BE BILLED SEPARATELY FROM THE ORIGINAL PURCHASE ORDER.

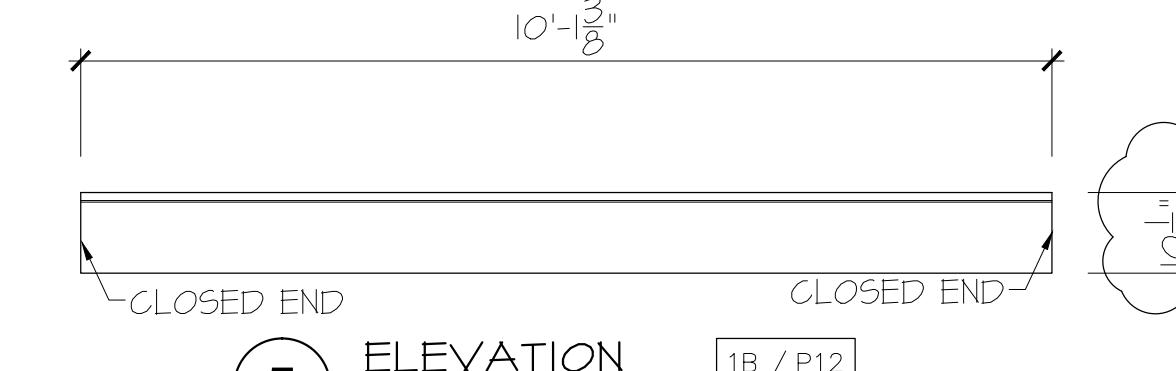
SIGNATURE _____ DATE _____

THIS ORDER CANNOT BE RELEASED FOR PRODUCTION WITHOUT YOUR SIGNATURE!

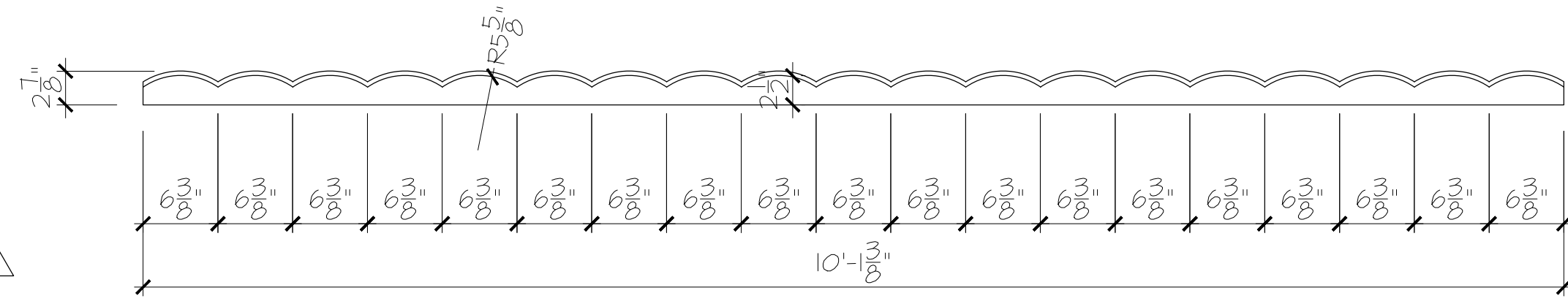
(C) ECHO STONE CORNICHE



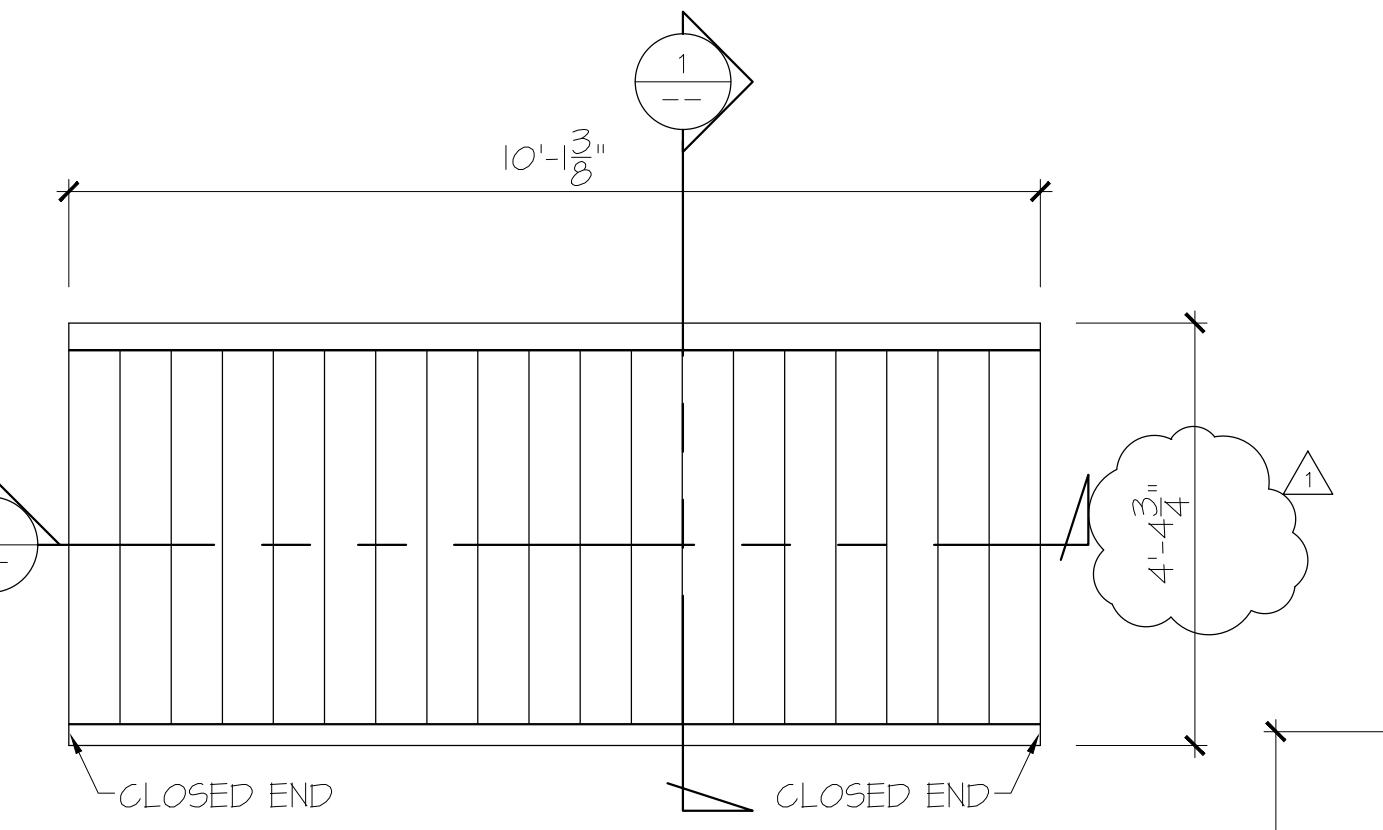
4 ELEVATION 1A / P12
SCALE: 1/2" = 1'-0"



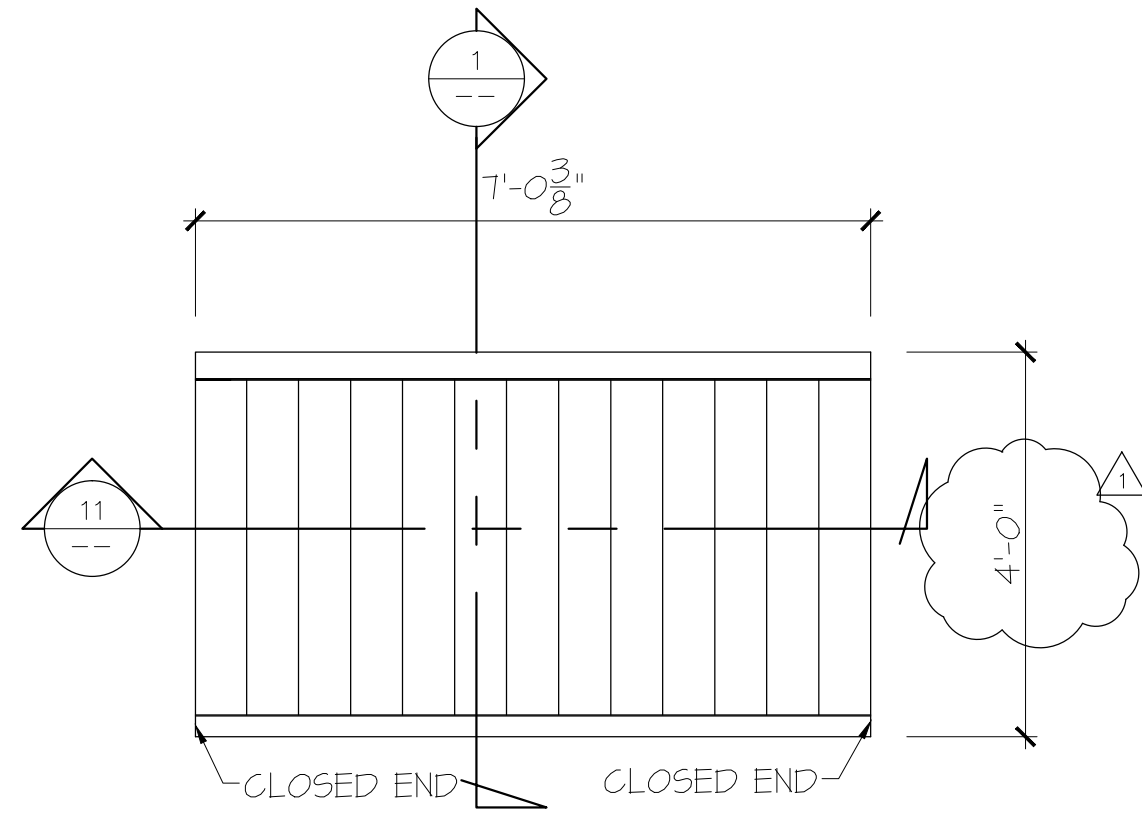
5 ELEVATION 1B / P12
SCALE: 1/2" = 1'-0"



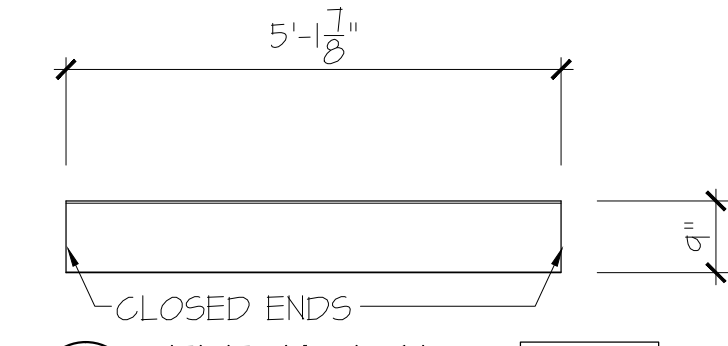
3 DETAIL SECTION 01 / P12
SCALE: 1" = 1'-0"



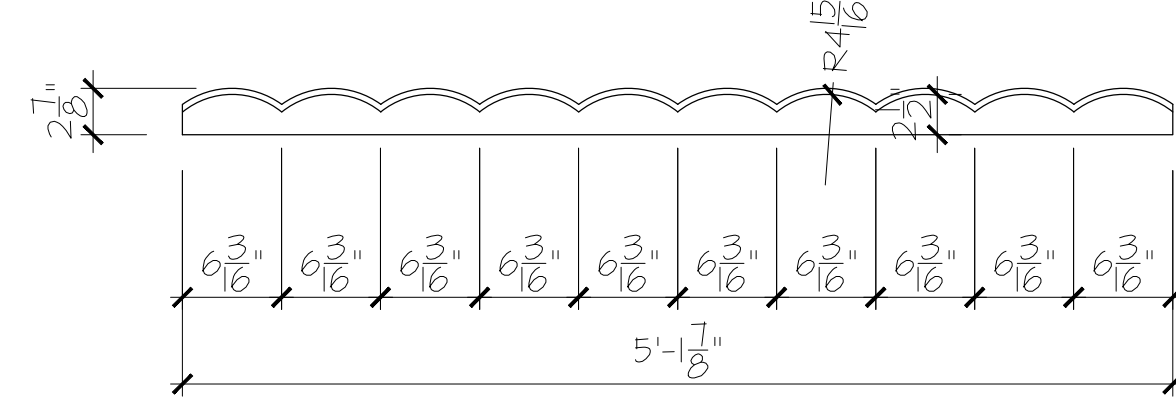
2 ELEVATION 01 / P12
SCALE: 1/2" = 1'-0"



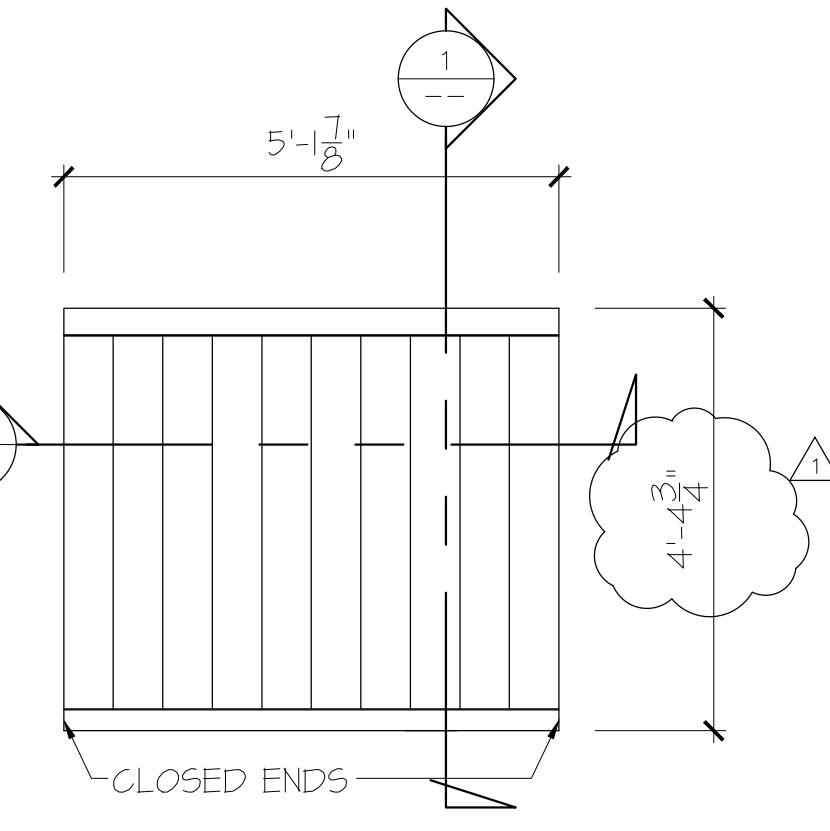
10 ELEVATION 03 / P12
SCALE: 1/2" = 1'-0"



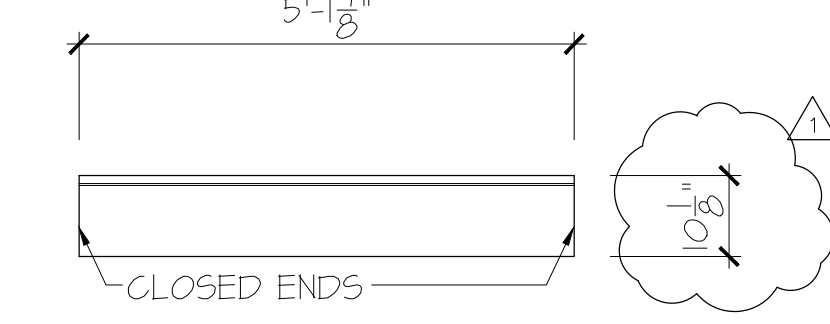
8 ELEVATION 2A / P12
SCALE: 1/2" = 1'-0"



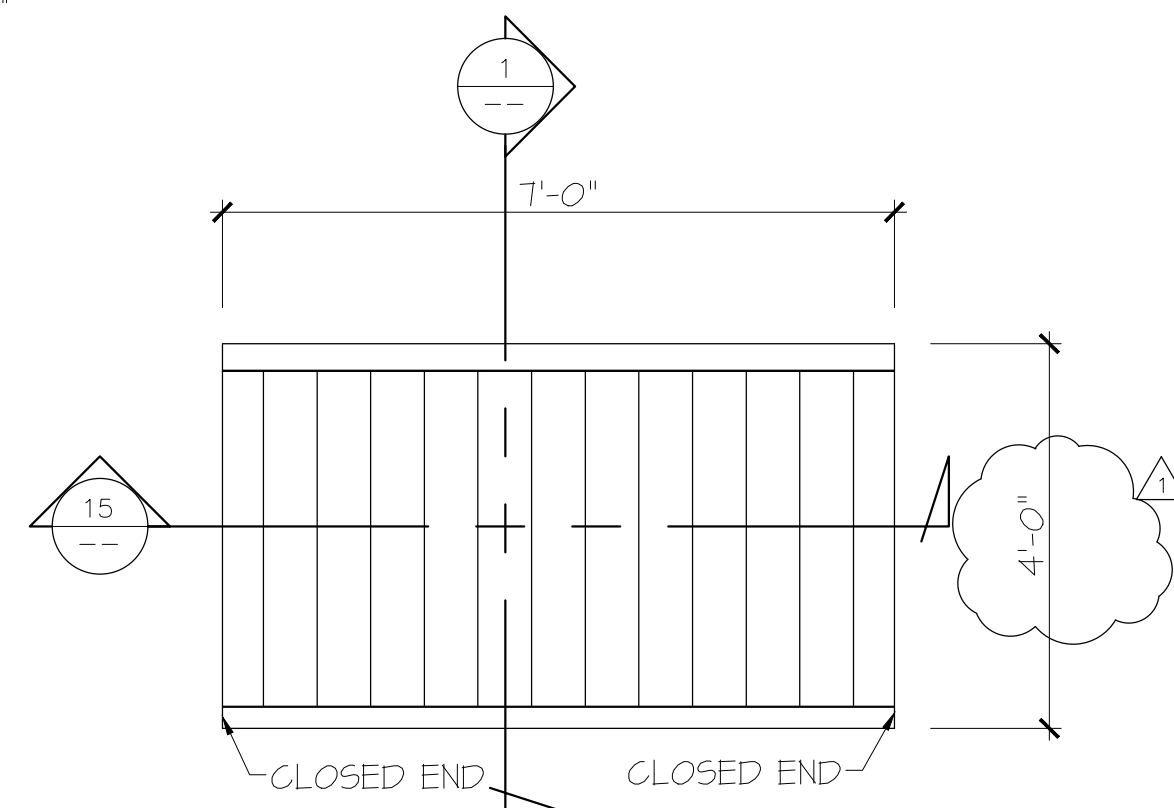
7 DETAIL SECTION 02 / P12
SCALE: 1" = 1'-0"



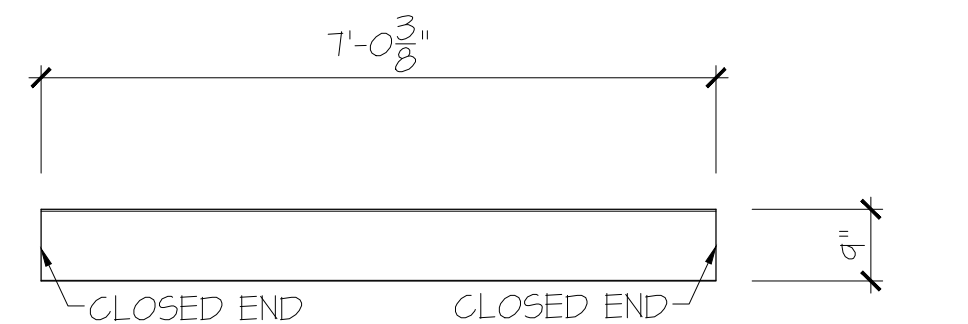
6 ELEVATION 02 / P12
SCALE: 1/2" = 1'-0"



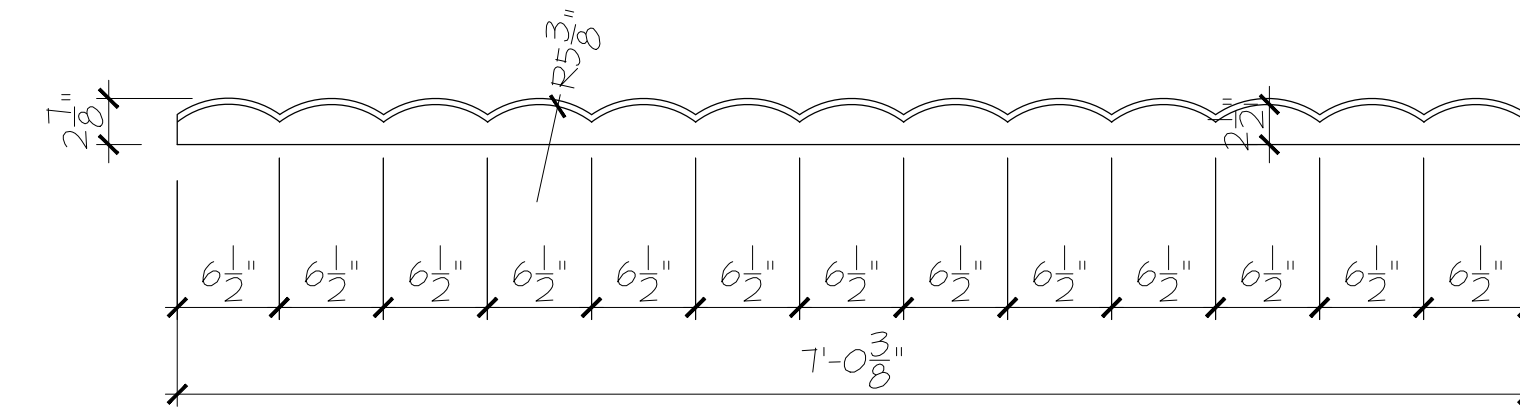
9 ELEVATION 2B / P12
SCALE: 1/2" = 1'-0"



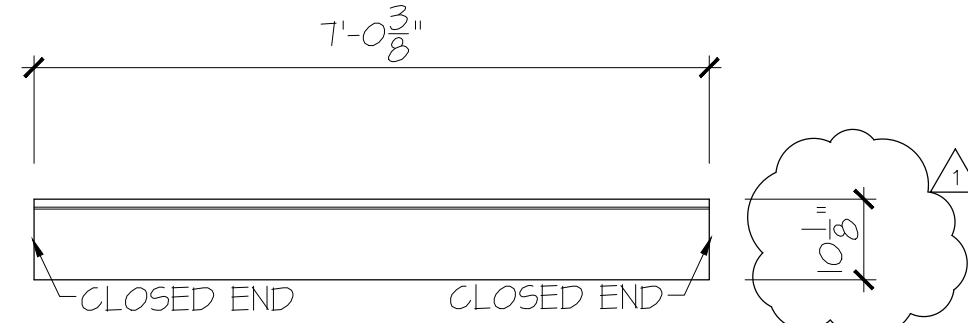
14 ELEVATION 04 / P12
SCALE: 1/2" = 1'-0"



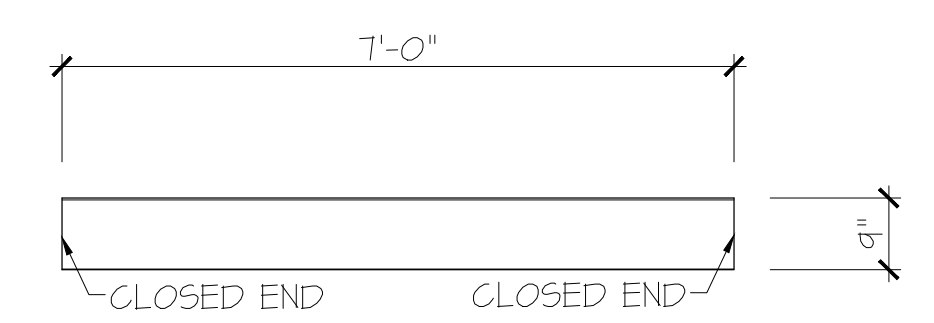
12 ELEVATION 3A / P12
SCALE: 1/2" = 1'-0"



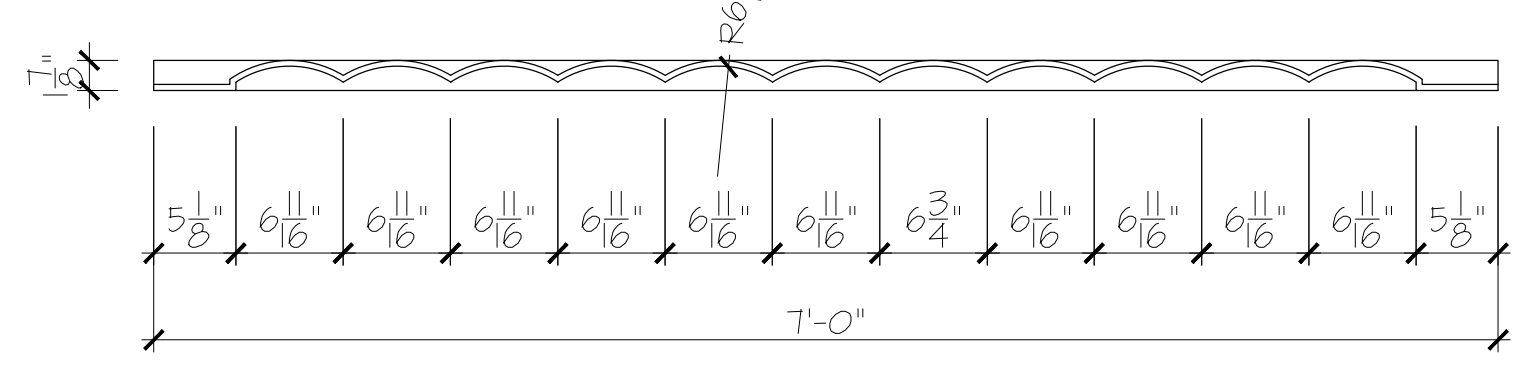
11 DETAIL SECTION 03 / P12
SCALE: 1" = 1'-0"



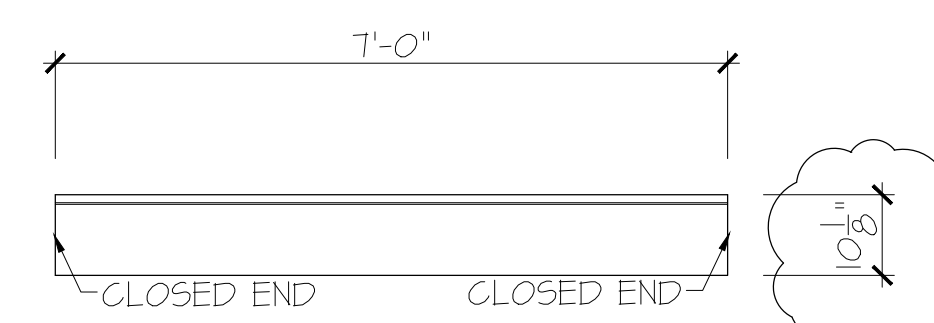
13 ELEVATION 3B / P12
SCALE: 1/2" = 1'-0"



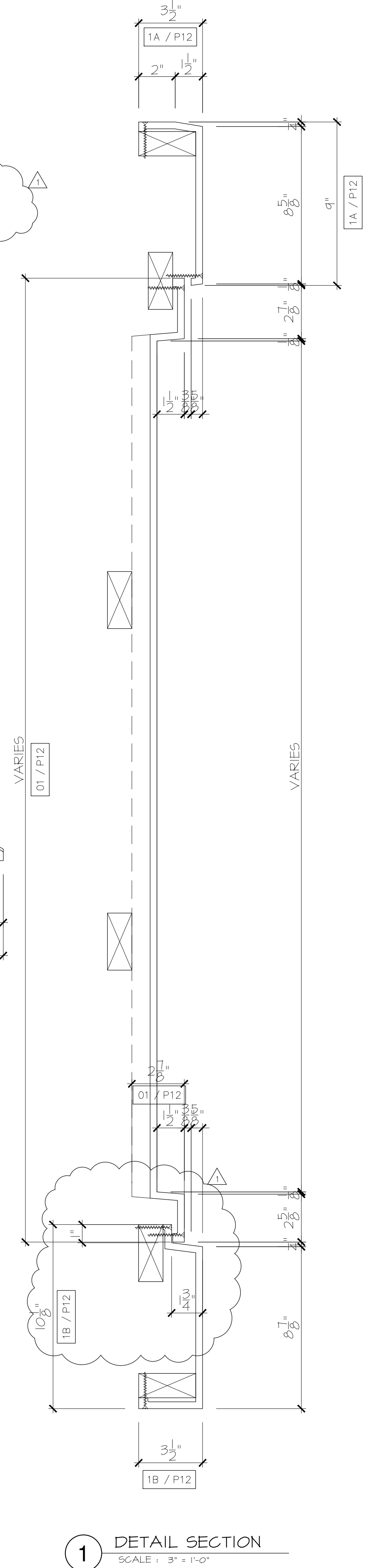
16 ELEVATION 4A / P12
SCALE: 1/2" = 1'-0"



15 DETAIL SECTION 04 / P12
SCALE: 1" = 1'-0"



17 ELEVATION 4B / P12
SCALE: 1/2" = 1'-0"



1 DETAIL SECTION
SCALE: 3" = 1'-0"

- REQ'D. : (3) 01 / P12 ECHO STONE PANEL
4'-4 3/4"H x 2 7/8"D
10'-1 3/8" STRAIGHT LENGTH
- (3) 1A / P12 ECHO STONE PANEL
9'H x 3 1/2"D
10'-1 3/8" STRAIGHT LENGTH
- (3) 1B / P12 ECHO STONE PANEL
10 1/8"H x 3 1/2"D
10'-1 3/8" STRAIGHT LENGTH
- (6) 02 / P12 ECHO STONE PANEL
4'-4 3/4"H x 2 7/8"D
5'-1 7/8" STRAIGHT LENGTH
- (6) 2A / P12 ECHO STONE PANEL
9'H x 3 1/2"D
5'-1 7/8" STRAIGHT LENGTH
- (6) 2B / P12 ECHO STONE PANEL
10 1/8"H x 3 1/2"D
5'-1 7/8" STRAIGHT LENGTH
- (3) 03 / P12 ECHO STONE PANEL
4'-0"H x 2 7/8"D
7'-0 3/8" STRAIGHT LENGTH
- (3) 3A / P12 ECHO STONE PANEL
9'H x 3 1/2"D
7'-0 3/8" STRAIGHT LENGTH
- (3) 3B / P12 ECHO STONE PANEL
10 1/8"H x 3 1/2"D
7'-0 3/8" STRAIGHT LENGTH
- (3) 04 / P12 ECHO STONE PANEL
4'-0"H x 2 7/8"D
7'-0" STRAIGHT LENGTH
- (3) 4A / P12 ECHO STONE PANEL
9'H x 3 1/2"D
7'-0" STRAIGHT LENGTH
- (3) 4B / P12 ECHO STONE PANEL
10 1/8"H x 3 1/2"D
7'-0" STRAIGHT LENGTH
- TOTAL: (45)

(L, M, M-I,)

ECHO STONE PANEL

AS SHOWN

1

THESE PLANS AND THE DESIGN CONTAINED THEREIN ARE THE SOLE PROPERTY OF FIRST CLASS ARCHITECTURAL PRODUCTS (FCAP). THESE PLANS MAY NOT BE REPRODUCED OR USED WITHOUT THE PERMISSION OF FCAP. ANY UNAUTHORIZED USE SHALL BE AT THE USER'S SOLE RISK AND WITHOUT LIABILITY TO FCAP. CONTRACTORS INDICATED AND ORDERS UTILIZING THESE PLANS IN CONNECTION WITH THIS PROJECT ARE RESPONSIBLE FOR THEIR OWN MEASUREMENTS AND DIMENSIONS ON THE JOB. FCAP ASSUMES NO RESPONSIBILITY FOR WORK DONE BY CONTRACTORS, NOR FOR ANY CHANGES MADE NECESSARY BY LOCAL BUILDING CODES, ORDINANCES, CONDITIONS, OR BY THE SUBSTITUTION OR CHANGES IN EQUIPMENT SHOWN ON THESE PLANS. REFERENCE IS MADE TO THE GENERAL NOTES WHICH ARE PART OF THESE PLANS, AND FABRICATORS, CONTRACTORS, AND ALL OTHER PERSONS UTILIZING THESE PLANS ARE ADVISED THAT THEY ARE RESPONSIBLE FOR EXAMINING AND BECOMING FAMILIAR WITH SAID GENERAL NOTES BEFORE COMMENCING ANY WORK DONE ON THIS PROJECT. ANY INCONSISTENCIES BETWEEN THESE PLANS, THE GENERAL NOTES, AND THE LOCAL BUILDING CODES OR ORDINANCES MUST IMMEDIATELY BE CALLED TO THE ATTENTION OF FCAP IN WRITING SO THAT ANY INCONSISTENCIES CAN BE RESOLVED. FCAP IS NOT RESPONSIBLE FOR ANY ARCHITECTURAL OR ENGINEERING DETAILS OR SPECIFICATIONS THE USE BY ANY PERSON OR FIRM OF THESE PLANS OR ANY PART THEREOF SHALL NOT IN ANY WAY BE SUBJECT TO ANY COST OR DAMAGES FOR ANY ERROR OR OMISSION CONTAINED THEREIN.

| No. | REVISION | DATE | BY |
|-----|---------------|---------|----|
| | CLIENT UPDATE | 3-10-11 | DS |
| | REVISION | | |

RADFORD UNIVERSITY
RADFORD, VA

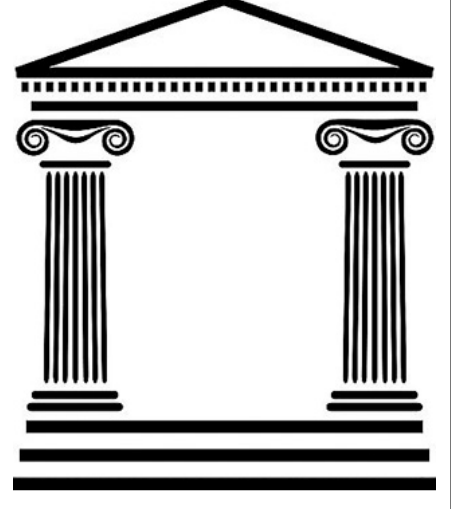
WHITING-TURNER CONTRACTING

| | |
|----------------|----------|
| SCALE | AS SHOWN |
| DRAWN BY | DS |
| DEC PROJ. MGR. | |
| APPROVED BY | |
| QUOTE NO. | 13148-2 |
| DATE | 12-29-10 |

ECHO STONE PANEL

SHEET No. **P12**

JOB NO. 10-2861

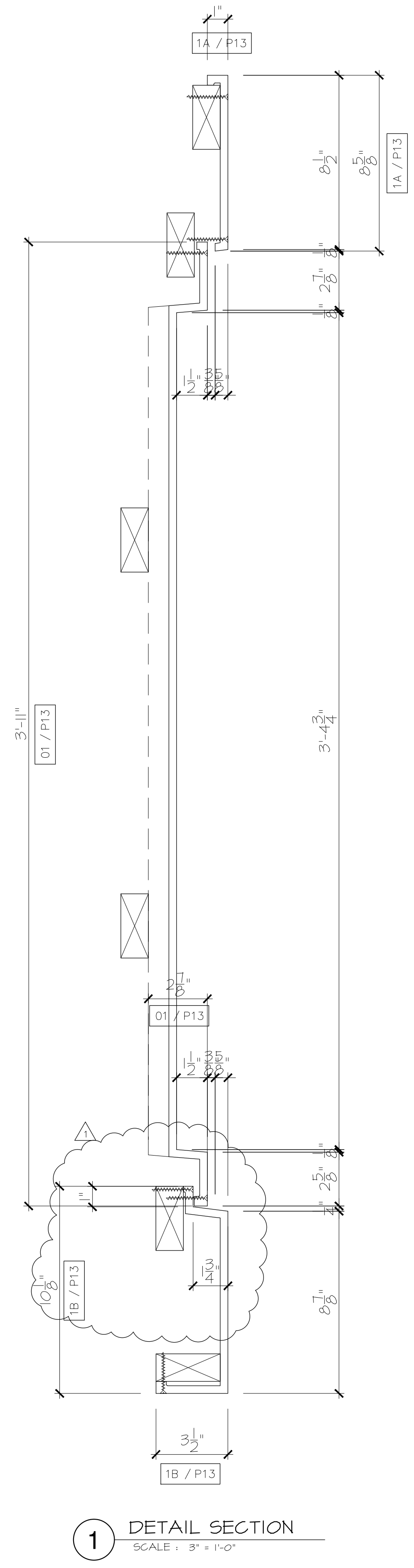


THESE PLANS AND THE DESIGNS CONTAINED THEREIN ARE THE SOLE PROPERTY OF FIRST CLASS BUILDING PRODUCTS (HEREINAFTER DESIGNATED "FCBP"). THESE PLANS MAY NOT BE REPRODUCED OR USED WITHOUT WRITTEN PERMISSION OF FCBP. UNAUTHORIZED USE SHALL INVOLVE A CLAIM FOR COMPENSATION BY FCBP. ALL FABRICATORS, CONTRACTORS, INDICATED AND OTHERS UTILIZING THESE PLANS IN CONNECTION WITH THIS PROJECT ARE RESPONSIBLE FOR THEIR OWN MEASUREMENTS AND DIMENSIONS ON THE JOB. FCBP ASSUMES NO ELECTRICAL INFORMATION AND OUTLETS ARE FOR THE SOLE PURPOSE OF INDICATING THE REQUIREMENTS OF THE FIXTURES AND EQUIPMENT. STRUCTURAL OR OR BY THE SUBSTITUTION OR CHANGES IN EQUIPMENT SHOWN ON THESE PLANS. REFERENCE IS MADE TO THE GENERAL NOTES WHICH ARE PART OF THESE PLANS, AND FABRICATORS, CONTRACTORS, AND ALL OTHER PERSONS UTILIZING THESE PLANS ARE ADVISED THAT THEY ARE RESPONSIBLE FOR EXAMINING AND BECOMING FAMILIAR WITH SAID GENERAL NOTES BEFORE COMMENCING ANY WORK DONE ON THIS PROJECT. ANY INCONGRUENCES BETWEEN THESE PLANS, THE GENERAL NOTES, AND THE LOCAL BUILDING CODES OR ORDINANCES, MUST IMMEDIATELY BE CALLED TO THE ATTENTION OF FCBP IN WRITING SO THAT ANY INCONGRUENCES CAN BE RESOLVED. THESE PLANS SHALL NOT BE USED FOR ANY OTHER PROJECT OR FOR ANY PART OF THESE PLANS OR ANY PART OF THESE PLANS OR ANY PART OF THESE PLANS OR ANY PART OF THESE PLANS.

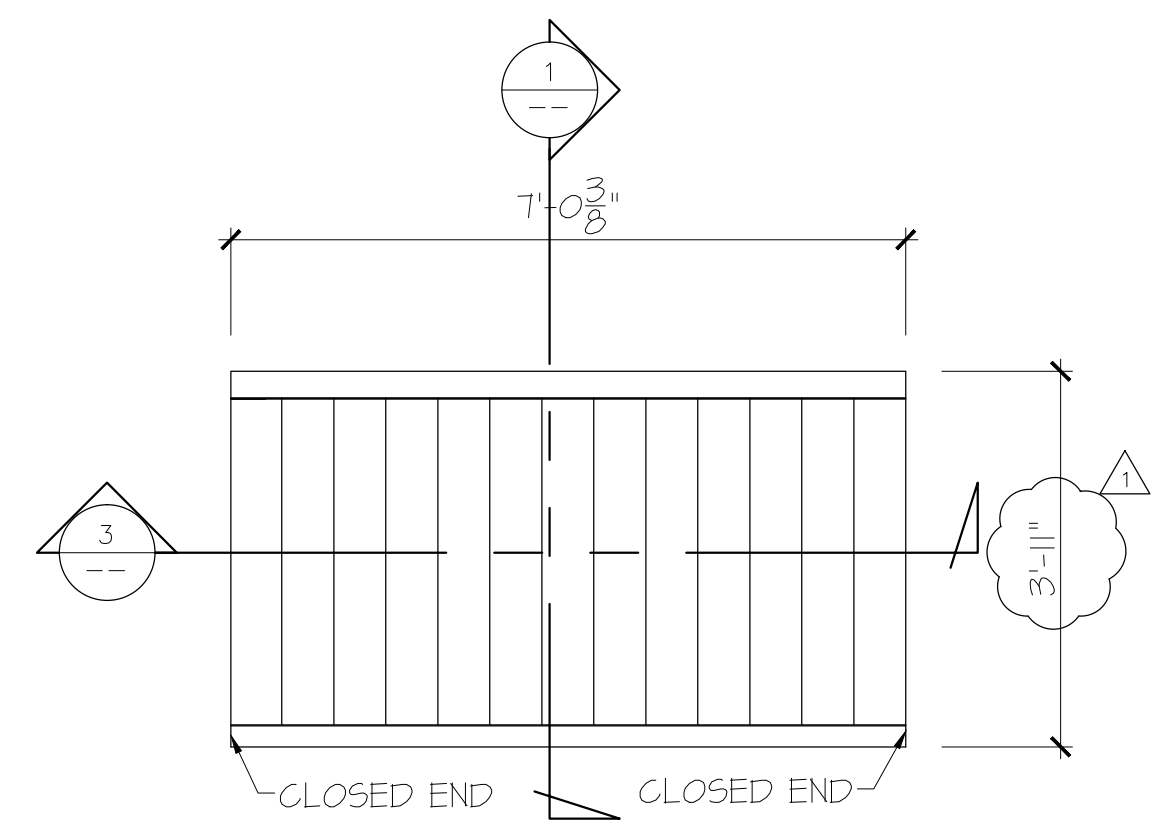
| REVISIONS | | CLIENT UPDATE | 3-10-11 | DS |
|-----------|----------|---------------|---------|----|
| No. | REVISION | DATE | BY | |
| | | | | |
| | | | | |
| | | | | |
| | | | | |
| | | | | |
| | | | | |
| | | | | |
| | | | | |
| | | | | |

| | |
|---|----------|
| RADFORD UNIVERSITY RADFORD, VA WHITING-TURNER CONTRACTING | |
| SCALE | AS SHOWN |
| DRAWN BY | DS |
| DEC PROJ. MGR. | |
| APPROVED BY | |
| QUOTE NO. | 13148-2 |
| DATE | 12-29-10 |

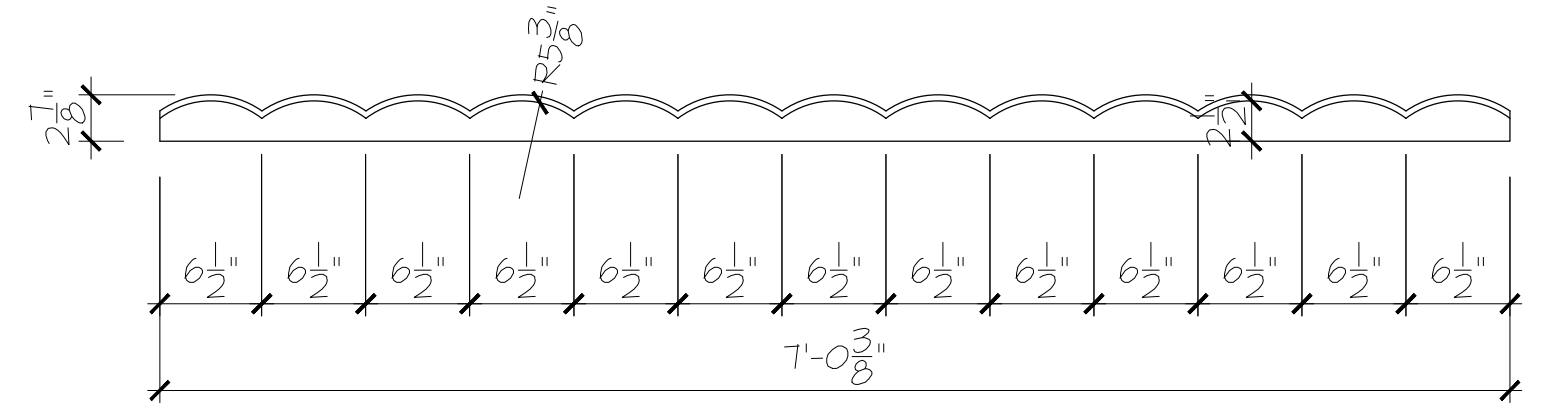
| | |
|------------------|---------|
| ECHO STONE PANEL | |
| SHEET No. | P13 |
| JOB NO. | 10-2861 |



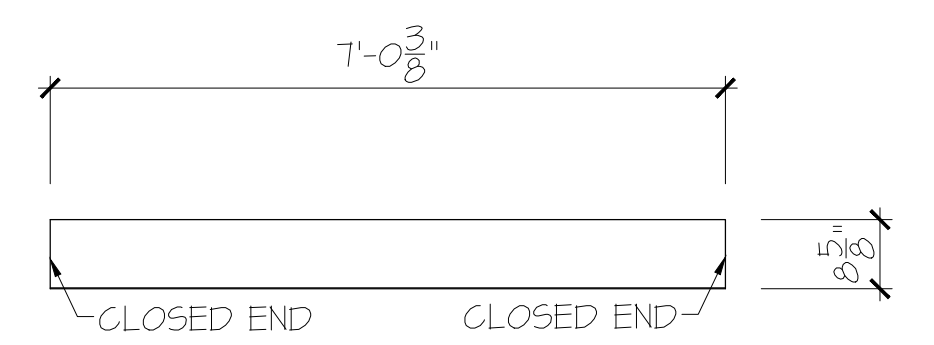
1 DETAIL SECTION
SCALE: 3" = 1'-0"



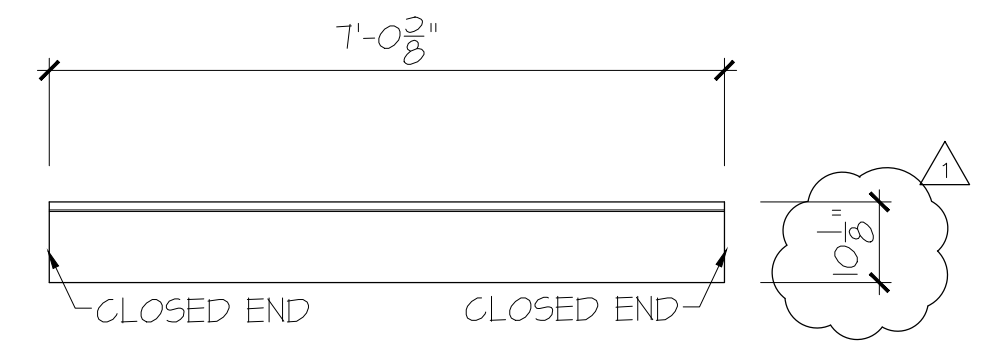
2 ELEVATION 01 / P13
SCALE: 1/2" = 1'-0"



3 DETAIL SECTION 01 / P13
SCALE: 1" = 1'-0"



4 ELEVATION 1A / P13
SCALE: 1/2" = 1'-0"



5 ELEVATION 1B / P13
SCALE: 1/2" = 1'-0"

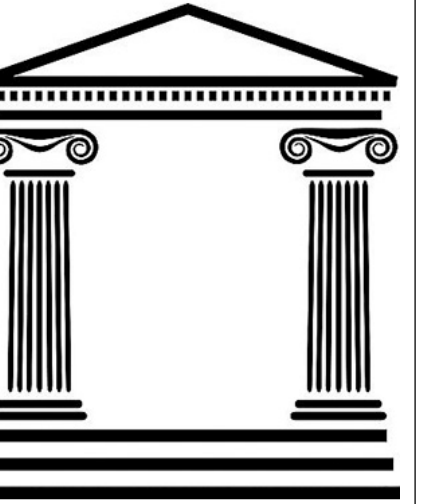
- REQ'D. : (3) 01 / P13 ECHO STONE PANEL
3'-11" H x 2 7/8" D
7'-0 3/8" STRAIGHT LENGTH
(3) 1A / P13 ECHO STONE PANEL
8 5/8" H x 1" D
7'-0 3/8" STRAIGHT LENGTH
(3) 1B / P13 ECHO STONE PANEL
10 1/8" H x 3 1/2" D
7'-0 3/8" STRAIGHT LENGTH
- TOTAL: (9)

WHITING TURNER CONTRACTING
I HAVE REVIEWED THESE DRAWINGS AND THEY ARE APPROVED FOR PRODUCTION. MY SIGNATURE BELOW CONFIRMS MY UNDERSTANDING AND ACCEPTANCE OF THE FOLLOWING CONDITIONS.

1. ANY CHANGES TO THESE DRAWINGS NOT INITIALED BY ME WILL BE IGNORED BY FCBP.
2. ANY CHANGES TO THESE DRAWINGS MAY RESULT IN A PRICE ADJUSTMENT.
3. ANY UNCORRECTED ERRORS CONTAINED IN THESE DRAWINGS ARE MY RESPONSIBILITY.
4. ANY CHANGES TO THESE DRAWINGS WHICH CREATE UNCORRECTED ERRORS ARE MY RESPONSIBILITY.
5. FCBP HAS CONTRACTED TO SUPPLY THE MATERIAL QUANTITIES PRINTED ON THESE DRAWINGS. ANY ADDITIONAL MATERIAL WILL BE BILLED SEPARATELY FROM THE ORIGINAL PURCHASE ORDER.

SIGNATURE _____ DATE _____

THIS ORDER CANNOT BE RELEASED FOR PRODUCTION WITHOUT YOUR SIGNATURE!



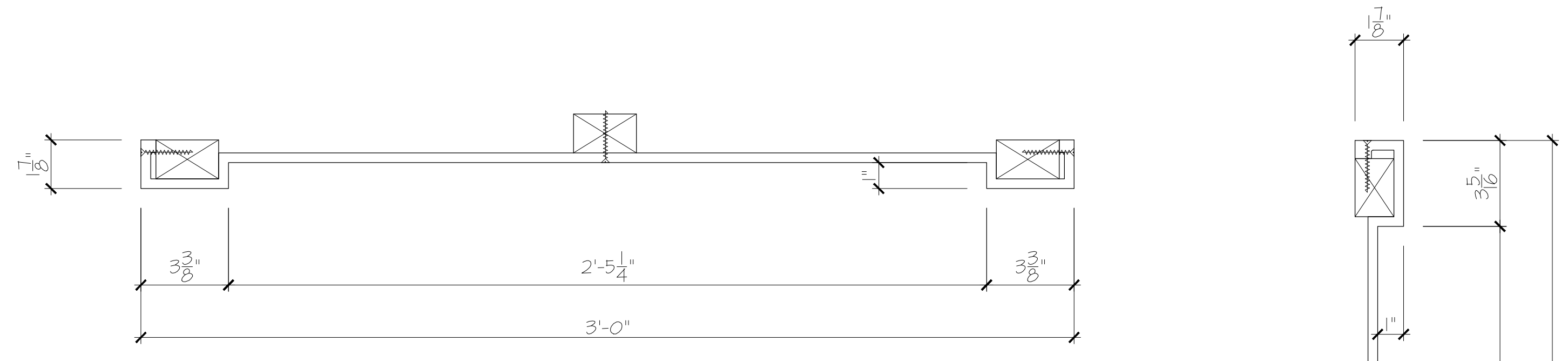
THESE PLANS AND THE DESIGN CONTAINED THEREIN ARE THE SOLE PROPERTY OF FIRST CLASS BUILDING PRODUCTS (HEREINAFTER DESIGNATED "FCBP"). THESE PLANS MAY NOT BE REPRODUCED OR TRANSMITTED IN ANY FORM OR BY ANY MEANS, ELECTRONIC OR MECHANICAL, INCLUDING PHOTOCOPYING, RECORDING, OR BY ANY INFORMATION STORAGE AND RETRIEVAL SYSTEM, WITHOUT THE EXPRESS WRITTEN PERMISSION OF FCBP. ANY UNAUTHORIZED USE OF THESE PLANS SHALL BE HELD TO BE AT THE USER'S SOLE RISK. THE USER SHALL BE RESPONSIBLE FOR OBTAINING ALL NECESSARY PERMITS, ORDINANCES, AND LIENS FROM THE LOCAL BUILDING CODES, PLUMBING AND ELECTRICAL INFORMATION AND CODES AND THE REQUIREMENTS OF THE EXISTING AND EQUIPMENT - STRUCTURAL OR BY THE SUBSTITUTION OR CHANGES IN EQUIPMENT SHOWN ON THESE PLANS. REFERENCE IS MADE TO THE GENERAL NOTES WHICH ARE PART OF THESE PLANS, AND FABRICATORS, CONTRACTORS, AND ALL OTHER PERSONS UTILIZING THESE PLANS ARE ADVISED THAT THEY ARE RESPONSIBLE FOR EXAMINING AND BECOMING FAMILIAR WITH SAID GENERAL NOTES BEFORE COMMENCING ANY WORK DONE ON THIS PROJECT. ANY INCONSISTENCIES BETWEEN THESE PLANS, THE GENERAL NOTES, AND THE LOCAL BUILDING CODES, OR ORDINANCES, MUST IMMEDIATELY BE CALLED TO THE ATTENTION OF FCBP IN WRITING SO THAT ANY INCONSISTENCIES CAN BE RESOLVED. FCBP IS NOT RESPONSIBLE FOR ANY ARCHITECTURAL OR ENGINEERING DETAILS OR SPECIFICATIONS THE USE OF WHICH MAY INCUR ANY COST OR DAMAGE TO ANY PART THEREOF SHALL NOT IN ANY WAY SUBJECT FCBP TO ANY COST OR DAMAGES FOR ANY ERROR OR OMISSION CONTAINED THEREIN.

| No. | CLIENT UPDATE | 3-10-11 | DS |
|-----------|---------------|---------|----|
| | REVISION | DATE | BY |
| REVISIONS | | | |

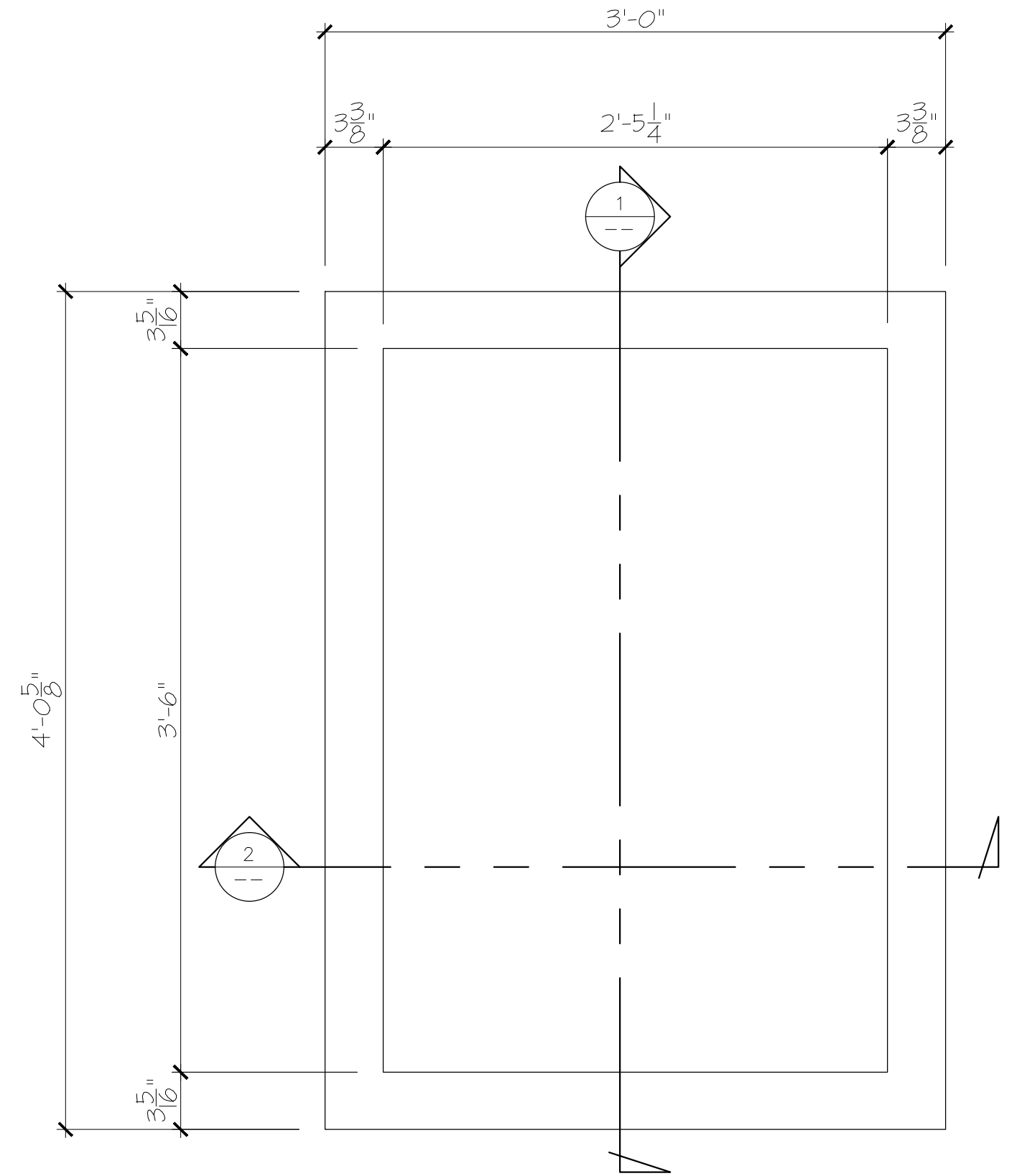
RADFORD UNIVERSITY
RADFORD, VA
WHITING-TURNER CONTRACTING

| | |
|----------------|----------|
| SCALE | AS SHOWN |
| DRAWN BY | DS |
| DEC PROJ. MGR. | |
| APPROVED BY | |
| QUOTE NO. | 13148-2 |
| DATE | 12-29-10 |

ECHO STONE PANEL
SHEET No. **P14**
JOB NO. 10-2861



2 DETAIL SECTION
SCALE : 3" = 1'-0"



3 ELEVATION
SCALE : 1 1/2" = 1'-0"

1 DETAIL SECTION
SCALE : 3" = 1'-0"

WHITING TURNER CONTRACTING
I HAVE REVIEWED THESE DRAWINGS AND THEY ARE APPROVED FOR PRODUCTION. MY SIGNATURE BELOW CONFIRMS MY UNDERSTANDING AND ACCEPTANCE OF THE FOLLOWING CONDITIONS.

1. ANY CHANGES TO THESE DRAWINGS NOT INITIALED BY ME WILL BE IGNORED BY FCBP.
2. ANY CHANGES TO THESE DRAWINGS MAY RESULT IN A PRICE ADJUSTMENT.
3. ANY UNCORRECTED ERRORS CONTAINED IN THESE DRAWINGS ARE MY RESPONSIBILITY.
4. ANY CHANGES TO THESE DRAWINGS WHICH CREATE UNCORRECTED ERRORS ARE MY RESPONSIBILITY.
5. FCBP HAS CONTRACTED TO SUPPLY THE MATERIAL QUANTITIES PRINTED ON THESE DRAWINGS. ANY ADDITIONAL MATERIAL WILL BE BILLED SEPARATELY FROM THE ORIGINAL PURCHASE ORDER.

SIGNATURE

DATE

THIS ORDER CANNOT BE RELEASED FOR PRODUCTION WITHOUT YOUR SIGNATURE!

REQ'D. : (2) 01 / P14 ECHO STONE PANEL
4'-0 5/8"H x 1 7/8"D x 3'-0"W
TOTAL: (2)

WHITING TURNER CONTRACTING
 I HAVE REVIEWED THESE DRAWINGS AND THEY ARE APPROVED FOR PRODUCTION. MY SIGNATURE BELOW CONFIRMS MY UNDERSTANDING AND ACCEPTANCE OF THE FOLLOWING CONDITIONS.

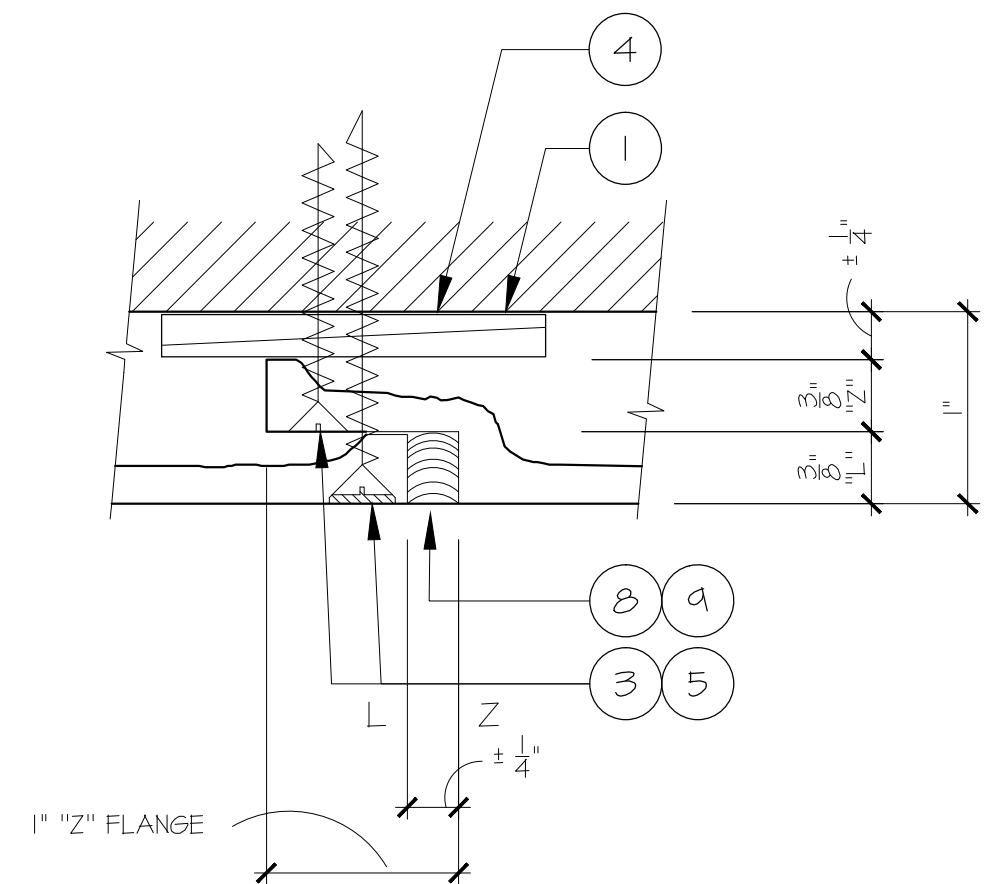
1. ANY CHANGES TO THESE DRAWINGS NOT INITIALED BY ME WILL BE IGNORED BY FCBP.
2. ANY CHANGES TO THESE DRAWINGS MAY RESULT IN A PRICE ADJUSTMENT.
3. ANY UNCORRECTED ERRORS CONTAINED IN THESE DRAWINGS ARE MY RESPONSIBILITY.
4. ANY CHANGES TO THESE DRAWINGS WHICH CREATE UNCORRECTED ERRORS ARE MY RESPONSIBILITY.
5. FCBP HAS CONTRACTED TO SUPPLY THE MATERIAL QUANTITIES PRINTED ON THESE DRAWINGS. ANY ADDITIONAL MATERIAL WILL BE BILLED SEPARATELY FROM THE ORIGINAL PURCHASE ORDER.

SIGNATURE _____ DATE _____

THIS ORDER CANNOT BE RELEASED FOR PRODUCTION WITHOUT YOUR SIGNATURE!

C

B



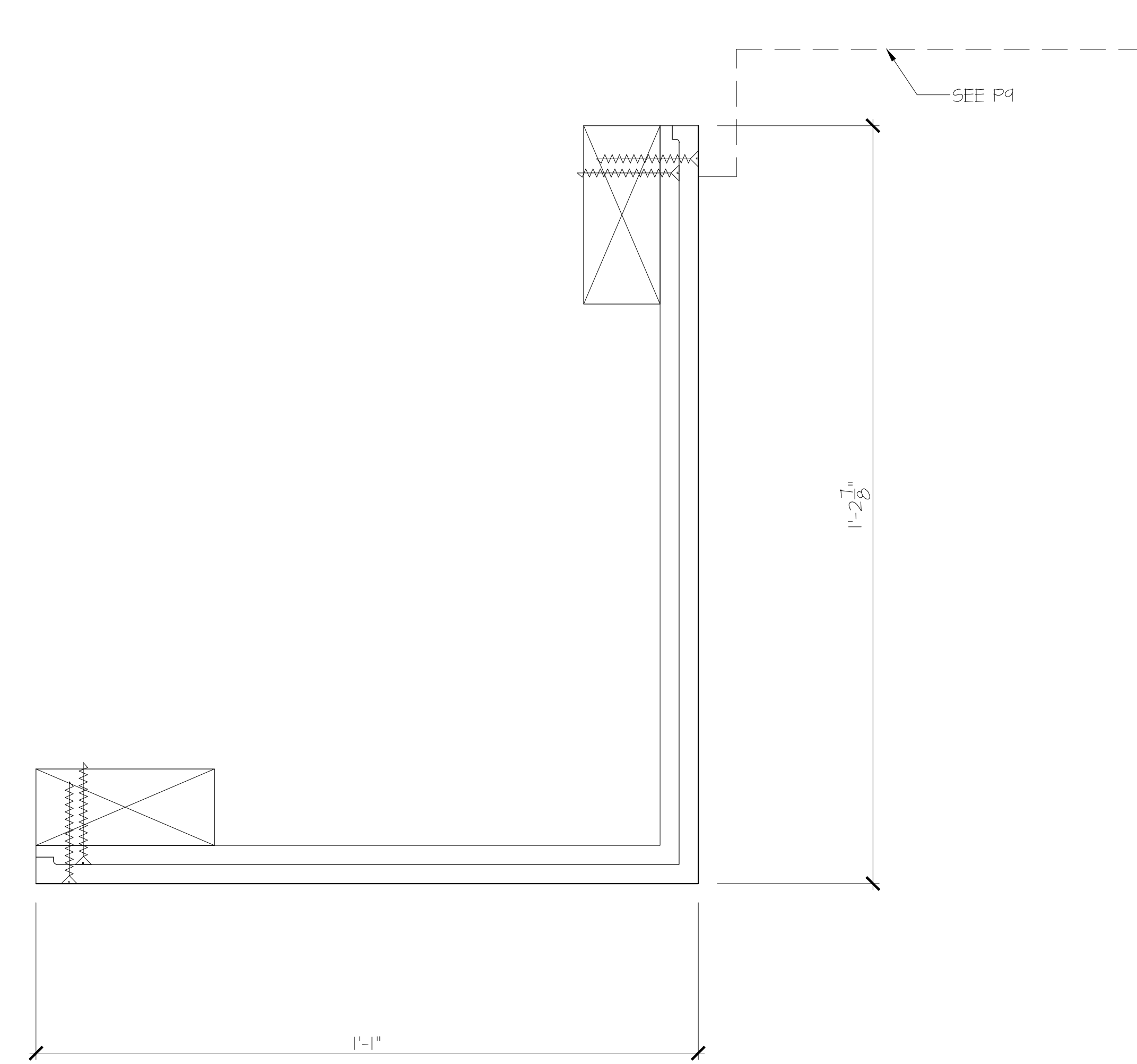
DETAIL SECTION

FULL

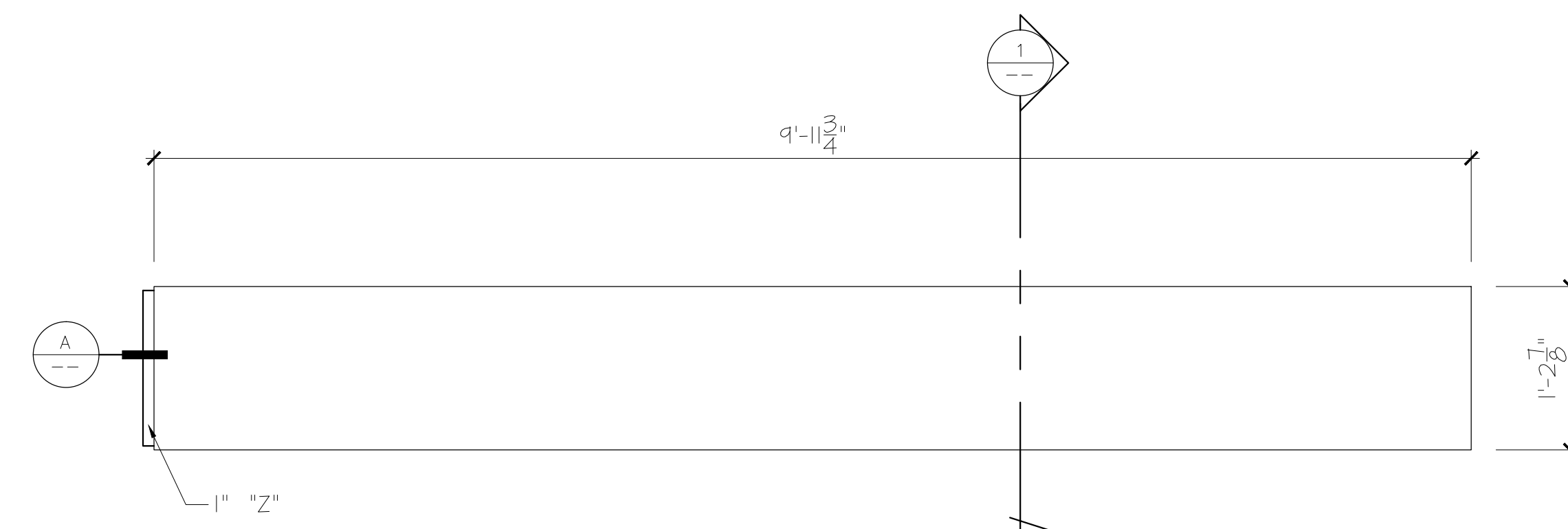
A

(N)

ECHO STONE TRIM



1 DETAIL SECTION
 SCALE : 1/8" = 1'-0"



2 ELEVATION
 SCALE : 1" = 1'-0"

REQ'D. : (3) 01 / P15 ECHO STONE TRIM
 1'-2 7/8" H x 1'-1 1/2"
 9'-11 3/4" STRAIGHT LENGTH Z/L
 TOTAL: (3)

FIRST CLASS
 ARCHITECTURAL PRODUCTS
 1-888-514-8141

FIRST CLASS
 Building Products, Inc.
 3600 DALLAS HIGHWAY
 SUITE 230-387
 MARIETTA GA 30064
 WWW.FIRSTCLASSBP.COM

THESE PLANS AND THE DESIGNS CONTAINED THEREIN ARE THE SOLE PROPERTY OF FIRST CLASS BUILDING PRODUCTS (HEREINAFTER DESIGNATED "FCBP"). THESE PLANS MAY NOT BE REPRODUCED OR USED WITHOUT WRITTEN PERMISSION OF FCBP. UNAUTHORIZED USE SHALL INVITE A CLAIM FOR COMPENSATION BY FCBP. ALL FABRICATORS, CONTRACTORS, INDICATED AND OTHERS UTILIZING THESE PLANS IN CONNECTION WITH THIS PROJECT ARE RESPONSIBLE FOR THEIR OWN MEASUREMENTS AND DIMENSIONS ON THE JOB. FCBP ASSUMES NO RESPONSIBILITY FOR EQUIPMENT SHOWN ON THESE PLANS. REFERENCE IS MADE TO THE GENERAL NOTES WHICH ARE PART OF THESE PLANS, AND OR BY THE SUBSTITUTION OR CHANGES IN EQUIPMENT SHOWN ON THESE PLANS. REFERENCE IS MADE TO THE GENERAL NOTES WHICH ARE PART OF THESE PLANS, AND WITH SAID GENERAL NOTES, BEFORE COMMENCING ANY WORK DONE ON THIS PROJECT. ANY INCONSISTENCIES BETWEEN THESE PLANS, THE GENERAL NOTES, AND THE LOCAL BUILDING CODES OR ORDINANCES, MUST IMMEDIATELY BE CALLED TO THE ATTENTION OF FCBP IN WRITING SO THAT ANY INCONSISTENCIES CAN BE RESOLVED. FCBP IS NOT RESPONSIBLE FOR ANY ARCHITECTURAL OR ENGINEERING DETAILS OR SPECIFICATIONS. THE USE BY ANY PERSON OR FIRM OF THESE PLANS OR ANY PART THEREOF SHALL NOT IN ANY WAY SUBJECT FCBP TO ANY COST OR DAMAGES FOR ANY ERROR OR OMISSION CONTAINED THEREIN. THEREUPON SHALL NOT IN ANY WAY SUBJECT FCBP TO ANY COST OR DAMAGES FOR ANY ERROR OR OMISSION CONTAINED THEREIN.

| No. | CLIENT UPDATE | 3-10-11 | DS |
|----------|---------------|---------|----|
| REVISION | DATE | BY | |
| | | | |
| | | | |
| | | | |
| | | | |
| | | | |
| | | | |
| | | | |
| | | | |
| | | | |
| | | | |

RADFORD UNIVERSITY
 RADFORD, VA
 WHITING-TURNER CONTRACTING

| | |
|-----------------|----------|
| SCALE | AS SHOWN |
| DRAWN BY | DS |
| DEC. PROJ. MGR. | |
| APPROVED BY | |
| QUOTE NO. | 13148-2 |
| DATE | 12-29-10 |

ECHO STONE TRIM

SHEET No. **P15**
 JOB NO. 10-2861

AS SHOWN

1

