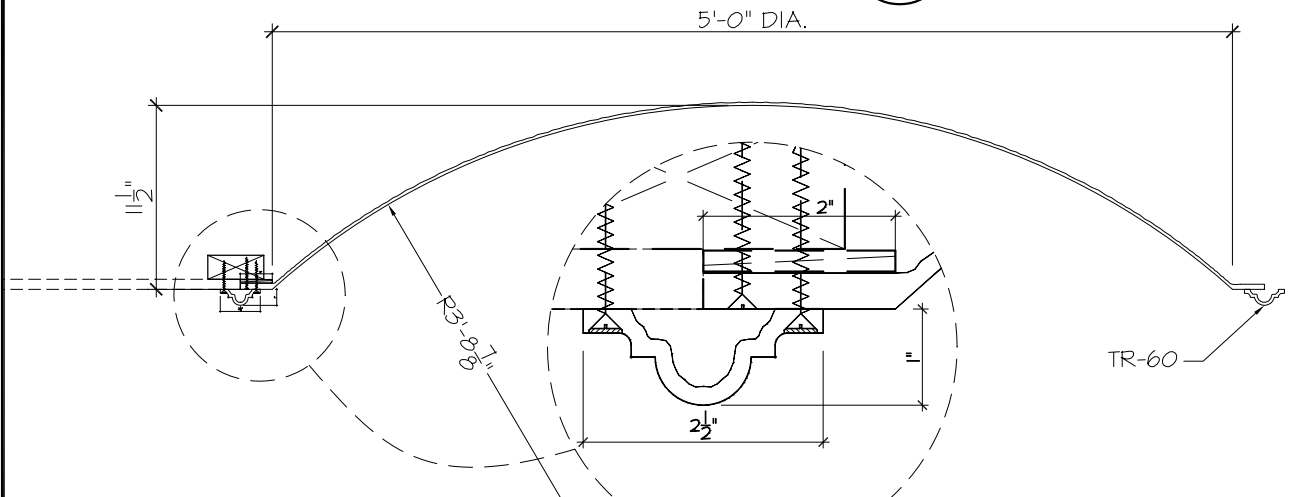


1A

REFLECTED PLAN VIEW

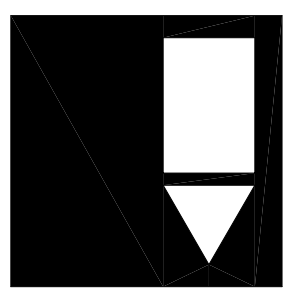
SCALE : 3/4" = 1'-0"



1B

DETAIL SECTION

SCALE : 1" = 1'-0"



**FIRST CLASS
BUILDING
PRODUCTS**

3600 DALLAS HWY
SUITE #230-387
MARIETTA, GA 30064
Phone 770.514.8141
Fax 770.514.0731

PROJECT:		FIRST CLASS
		BUILDING PRODUCTS
JOB NO:		
TITLE:		GFRP DOME
TITLE:		5'-0" DIAMETER
SCALE:	AS SHOWN	DRAWN BY: --

SHEET NO.	D6012-T
PAGE	
OF	